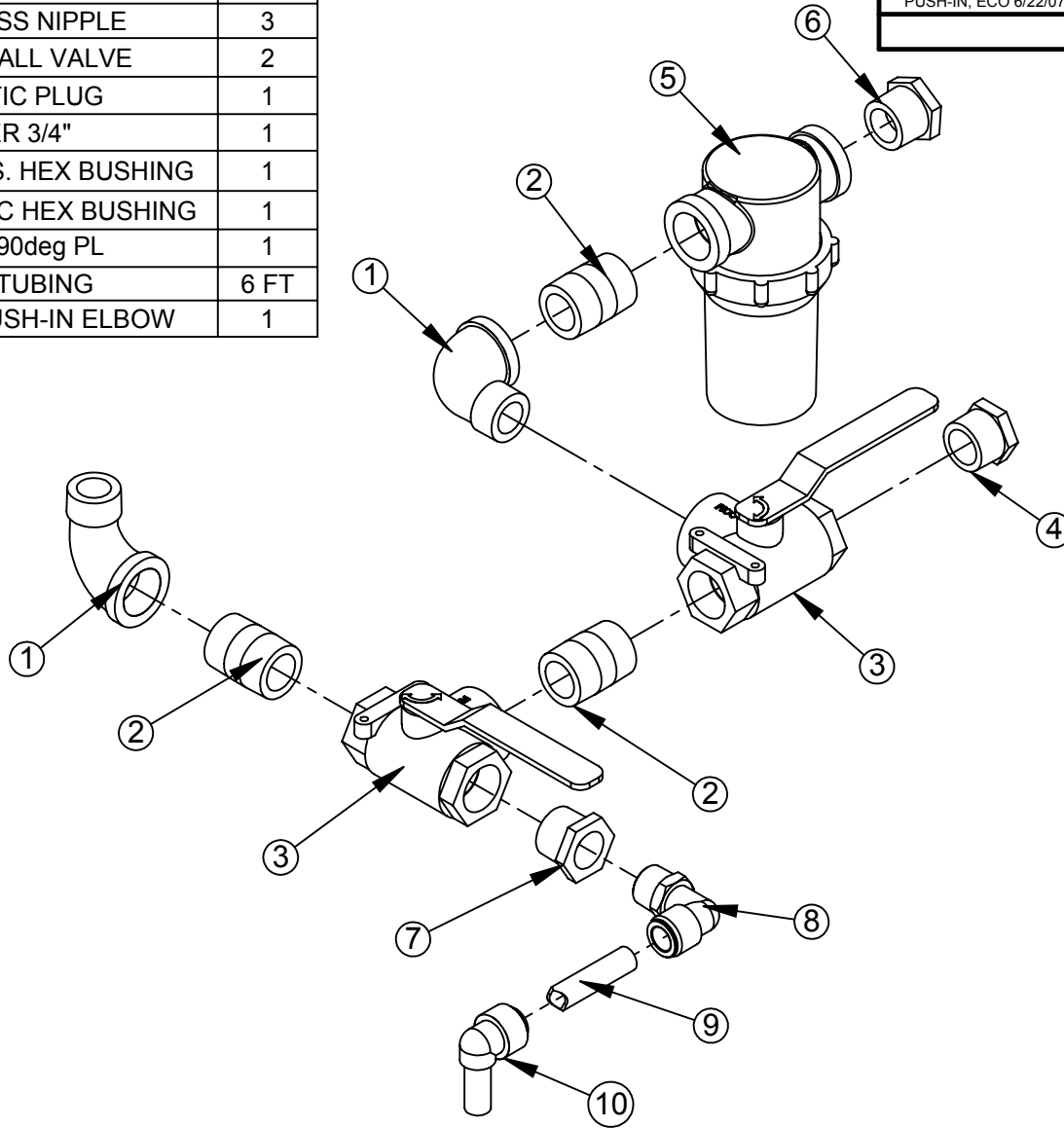


ITEM NO.	PART NUMBER	Title	QTY.
1	P000565	PIPE SS ELBOW 90 DEG 3/4" STREET	2
2	23070900	3/4" NPT X 1-1/2" SS NIPPLE	3
3	20180100	3/4" NPT 3 WAY BALL VALVE	2
4	23000600	.75" NPT PLASTIC PLUG	1
5	18970100	INLINE FILTER 3/4"	1
6	23081900	3/4" NPT X 1/2" NPT S.S. HEX BUSHING	1
7	23006700	3/4" NPT X 1/2" NPT PVC HEX BUSHING	1
8	27554300	1/2" NPT X 1/2" 90deg PL	1
9	40490000	1/2" OD LDPE TUBING	6 FT
10	P000619	PRESS-LOCK 1/2" PUSH-IN ELBOW	1

REVISIONS
 B) REDESIGN PLUMBING ASSEMBLY PER ECO 8/18/06 SRS
 C) DELETE (1) 27554300, ADD 6 FT - 1/2" TUBING & (1) 1/2" PL 90° PUSH-IN, ECO 6/22/07 SRS



1 REQ'D / UNIT
 RCA-60, CBP AGITATION TANKS

ASSUMED SYMMETRY OF PARTS IS USED, UNLESS OTHERWISE DIMENSIONED	MFG. APPROVAL X	DATE X	DRAWN BY JDB	DATE 10/25/04	 www.gustafson.com
1 PLACE (X) ±.060" TOLERANCES- 2 PLACE (XX) ±.015" UNLESS OTHERWISE NOTED 3 PLACE (XXX) ±.005" FRACTIONS ±1/32" 4 PLACE (XXXX) ±.0005" ANGLES ±1/2°	SCALE 9:32	REDRAWN BY -	CHECKED BY GAR	DATE 08/24/06	
THIS DRAWING IS BAYER CROPSCIENCE PROPERTY FOR USE WITH GUSTAFSON EQUIPMENT ONLY. ALL DESIGN AND INVENTION RIGHTS	TITLE CBP STANDARD FILTER KIT			PART NUMBER A299200C	REVISION -