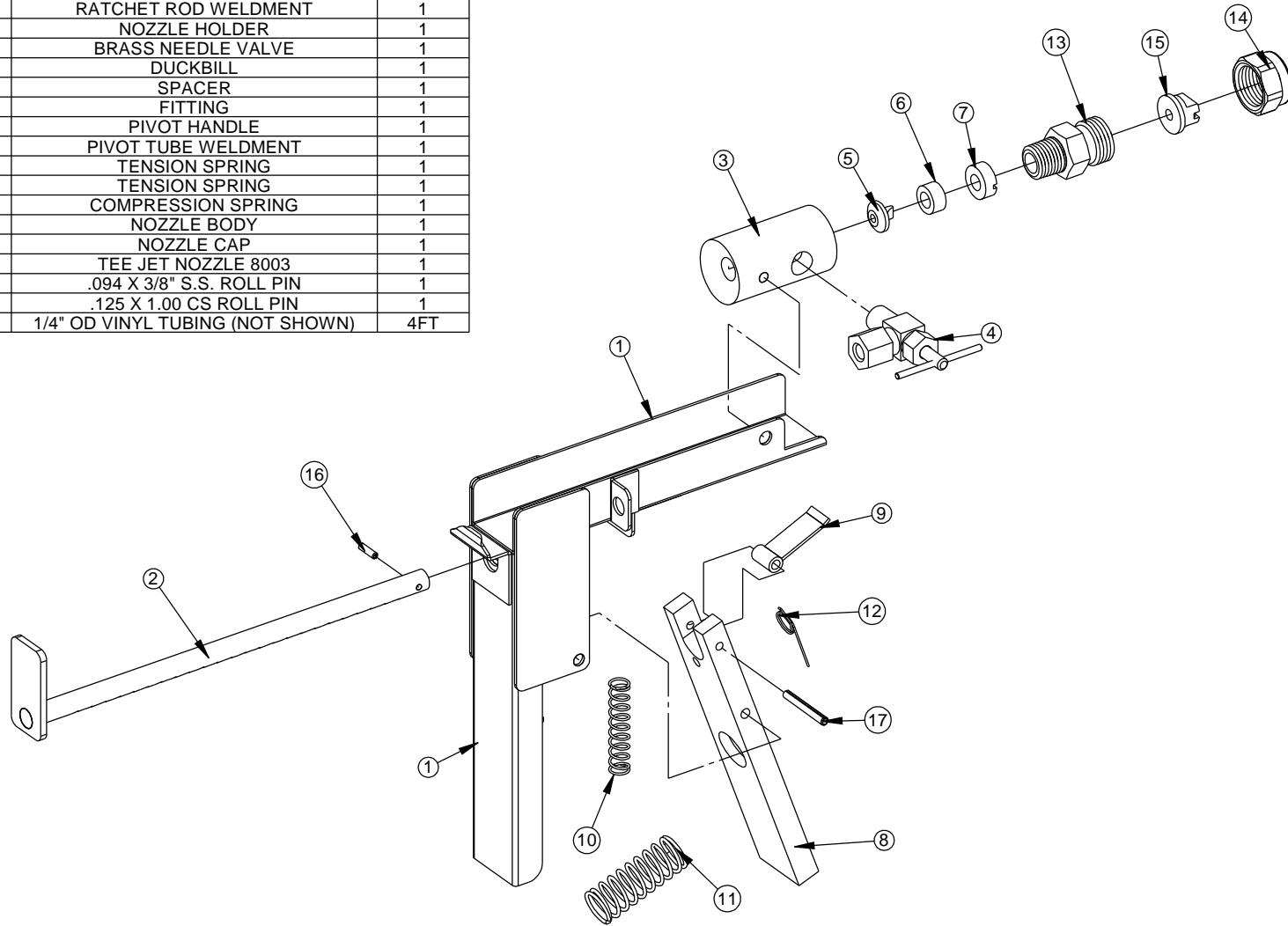



ITEM NO.	PART NUMBER	Title	QTY.
1	33690100	CHEMICAL GUN WELDMENT	1
2	33710000	RATCHET ROD WELDMENT	1
3	33760000	NOZZLE HOLDER	1
4	24972000	BRASS NEEDLE VALVE	1
5	33620000	DUCKBILL	1
6	33630000	SPACER	1
7	33640000	FITTING	1
8	33740001	PIVOT HANDLE	1
9	33740200	PIVOT TUBE WELDMENT	1
10	33720000	TENSION SPRING	1
11	33730000	TENSION SPRING	1
12	33750000	COMPRESSION SPRING	1
13	25913100	NOZZLE BODY	1
14	25912900	NOZZLE CAP	1
15	18256200	TEE JET NOZZLE 8003	1
16		.094 X 3/8" S.S. ROLL PIN	1
17		.125 X 1.00 CS ROLL PIN	1
18	33700000	1/4" OD VINYL TUBING (NOT SHOWN)	4FT



CUSTOMER  
PO#  
(-) UNITS REQ'D

ASSUMED SYMMETRY OF PARTS IS USED, UNLESS OTHERWISE DIMENSIONED		MFG. APPROVAL XX	DATE XX	DRAWN BY SRS	DATE 10/29/08	<b>Gustafson</b>  www.gustafson.com		
1 PLACE (X) ± .060" TOLERANCES UNLESS OTHERWISE NOTED 2 PLACE (XX) ± .015" FRACTIONS+1/32" 3 PLACE (XXX) ± .005" FRACTIONS+1/32" 4 PLACE (XXXX) ± .0005" ANGLES+1/2°		SCALE 5:8	REDRAWN BY -	CHECKED BY SRS	DATE 10/29/08			
THIS DRAWING IS BAYER CROPSCIENCE PROPERTY FOR USE WITH GUSTAFSON EQUIPMENT ONLY. ALL DESIGNS AND INVENTION RIGHTS.						TITLE <b>CHEMICAL GUN ASSEMBLY</b>	PART NUMBER <b>33690110</b>	REVISION <b>0</b>