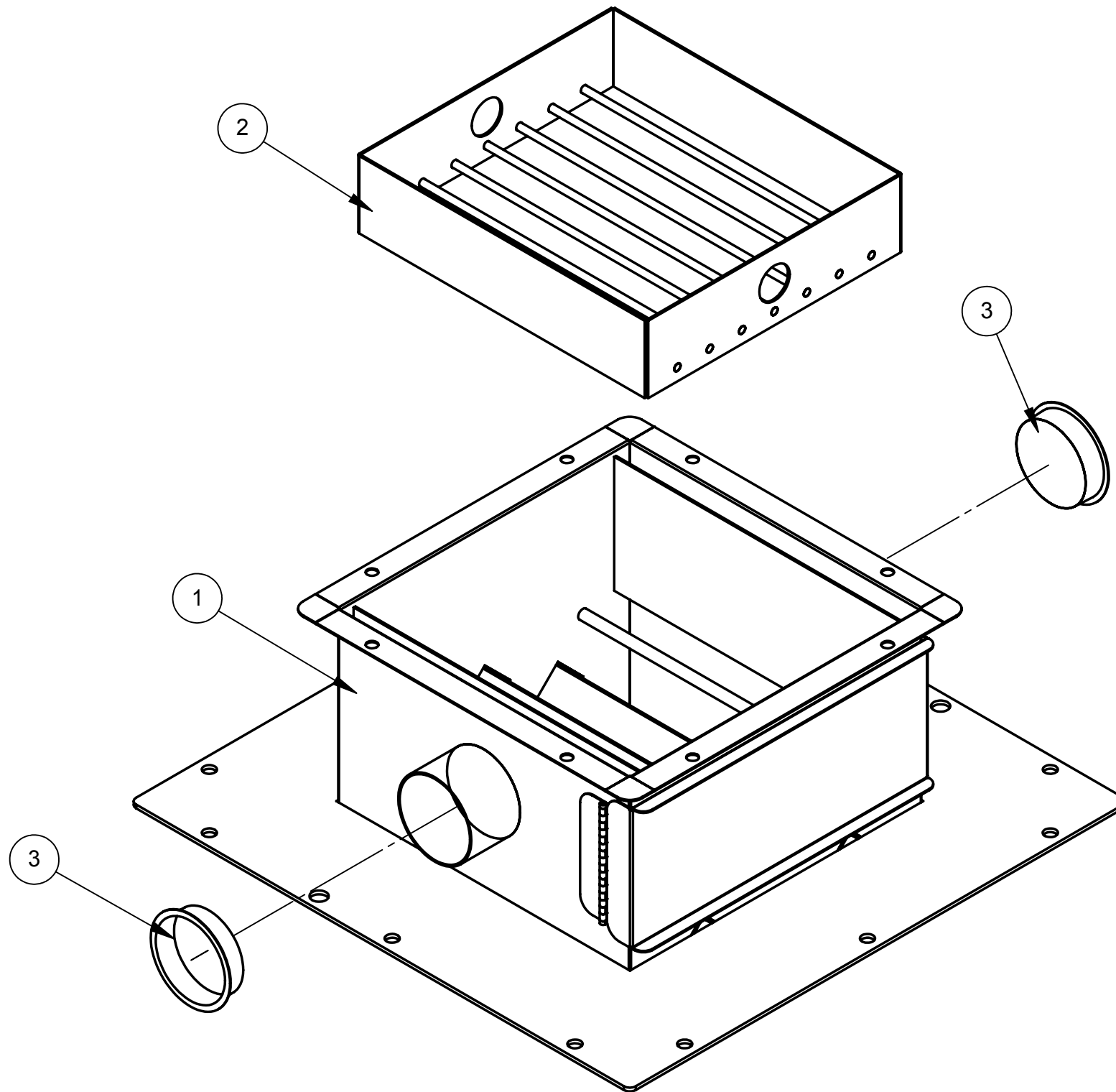


ITEM NO.	PART NO.	TITLE	QTY.
1	A105405F	INLET WLDT	1
2	A379100A	BOX WLDT	1
3	P000133	PLASTIC CAP	2

REVISIONS
B) REPLACED A018025B WITH A379100A, JDB 6/27/05



ASSUMED SYMMETRY OF PARTS IS USED, UNLESS OTHERWISE DIMENSIONED	MFG. APPROVAL X	DATE X	DRAWN BY JPS	DATE 3/11/03
1 PLACE (X) ±.060" TOLERANCES- 2 PLACE (XX) ±.015" UNLESS OTHERWISE NOTED 3 PLACE (XXX) ±.005" FRACTIONS ±1/32" 4 PLACE (XXXX) ±.0005" ANGLES ±1/2°	SCALE 1:4	REDRAWN BY	CHECKED BY GAR	DATE 08/08/06
THIS DRAWING IS GUSTAFSON LLC PROPERTY FOR USE WITH GUSTAFSON LLC EQUIPMENT ONLY. ALL DESIGN AND INVENTION RIGHTS.	TITLE DUST EVACUATION ASS'Y			PART NUMBER A105410B



REVISION	-
----------	---