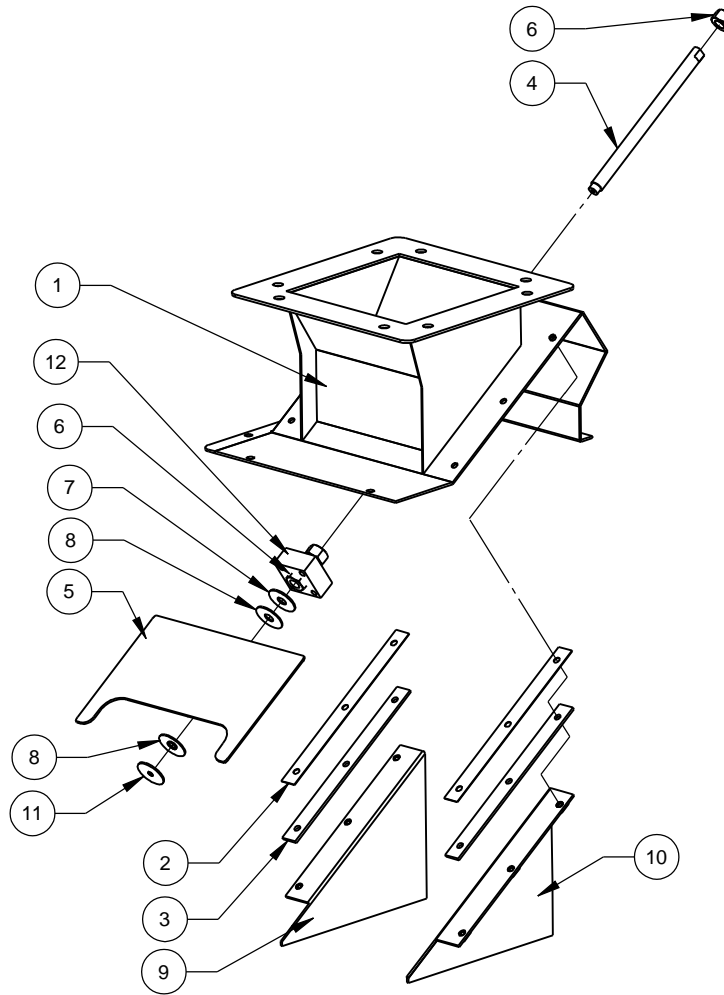



ITEM NO.	PART NO.	TITLE	QTY.
1	A105640E	TOP WLDT	1
2	A105657A	SHIM	2
3	A105658A	SPACER	2
4	A105656A	ADJUSTO ROD	1
5	A105612A	SLIDE WLDT	1
6	24750100	5/8-11 HEX NUT SS	3
7	A105616A	WASHER A	1
8	A105617A	THRUST WASHER	2
9	A105627B	LH DEFLECTOR WLDT	1
10	A105626B	RH DEFLECTOR WLDT	1
11	A105618A	WASHER B	1
12	A105619A	GUIDE BLOCK	1

REVISIONS



ASSUMED SYMMETRY OF PARTS IS USED, UNLESS OTHERWISE DIMENSIONED 1 PLACE (X) ± .060" TOLERANCES- 2 PLACE (XX) ± .015" UNLESS OTHERWISE NOTED 3 PLACE (XXX) ± .005" FRACTIONS +1/32" 4 PLACE (XXXX) ± .0005" ANGLES +1/2"	MFG. APPROVAL	DATE	DRAWN BY JPS	DATE 3/5/03	Gustafson  www.gustafson.com
	SCALE 1:6		CHECKED BY SAW	DATE 9/3/04	
THIS DRAWING IS GUSTAFSON LLC PROPERTY FOR USE WITH GUSTAFSON LLC EQUIPMENT ONLY. ALL DESIGN AND INVENTION RIGHTS.	TITLE BC-50 SCALE INLET MANUAL			PART NUMBER A105430A	REVISION -