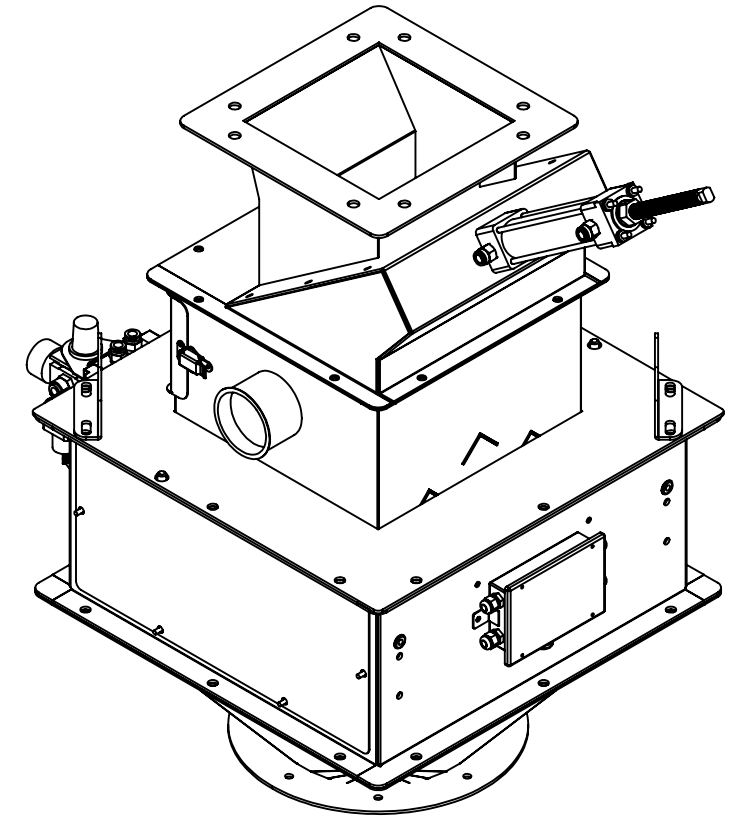
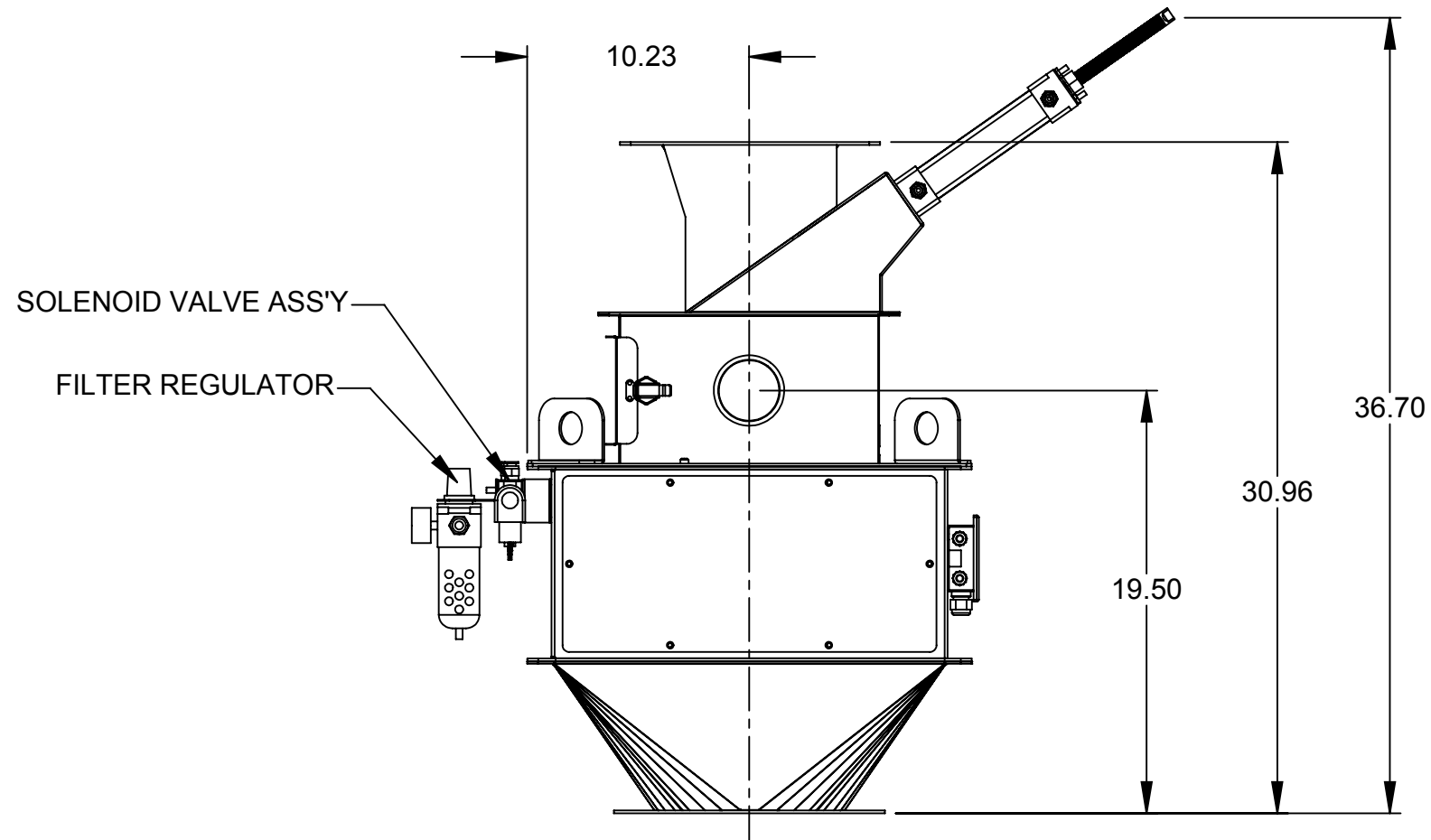
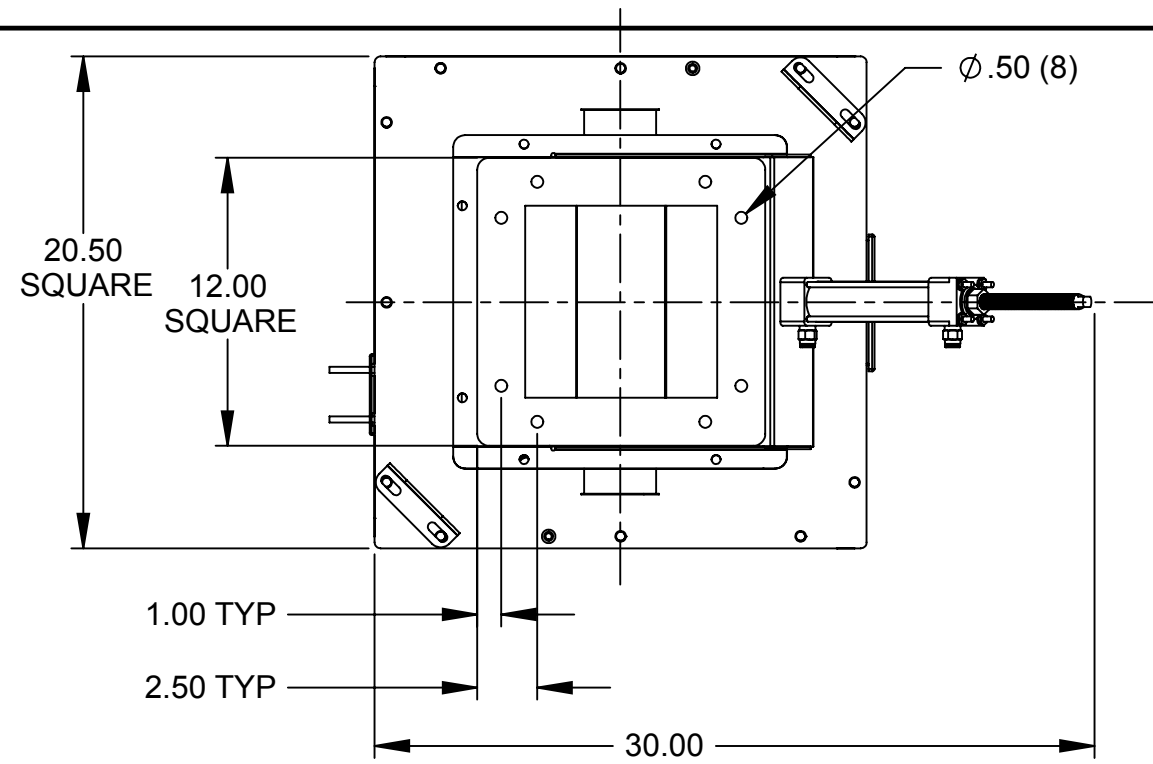
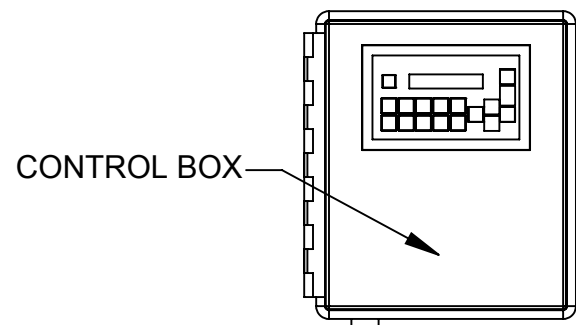
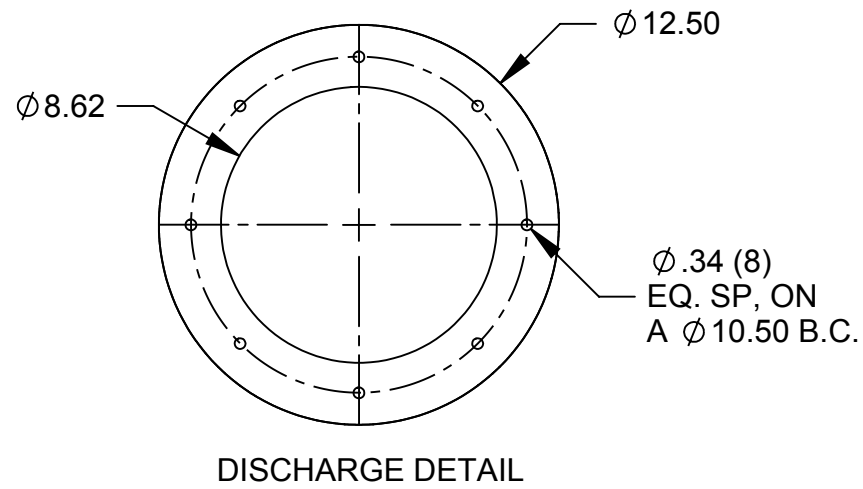



CONSTRUCTION: CRS
DIM TOL: ±.25



CUSTOMER
PO#
(-) UNITS REQ'D

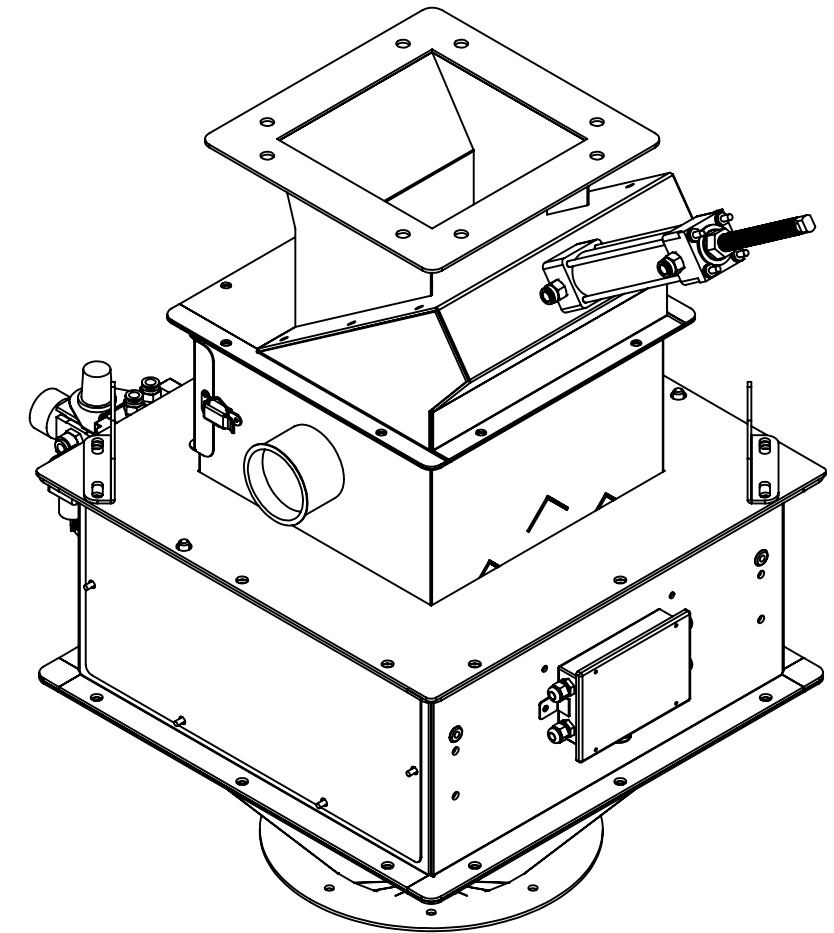
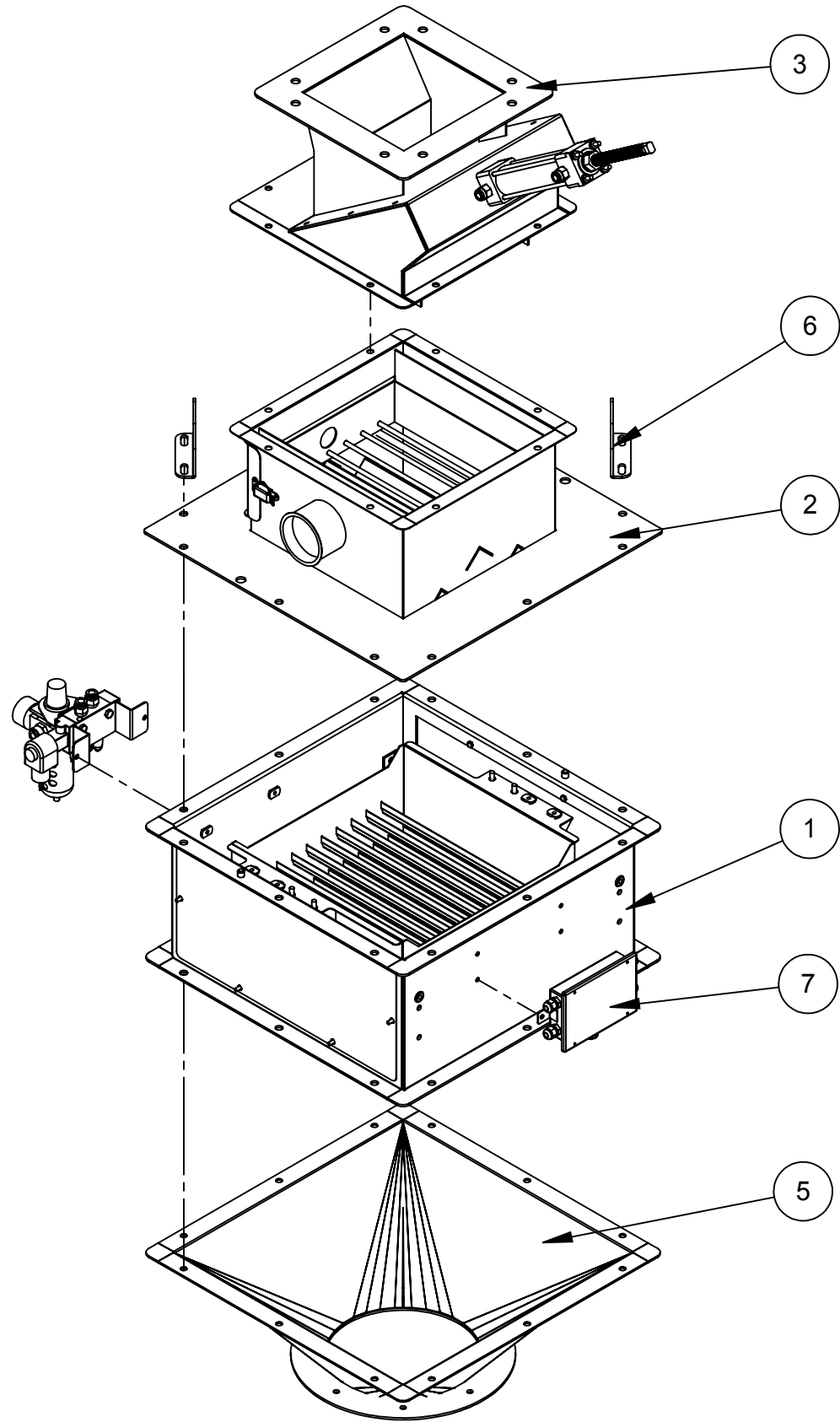
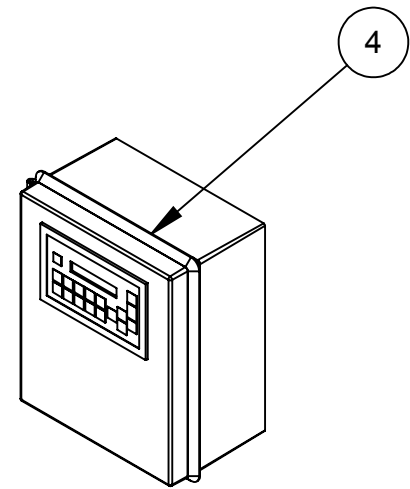
ASSUMED SYMMETRY OF PARTS IS USED, UNLESS OTHERWISE DIMENSIONED		MFG. APPROVAL X	DATE X	DRAWN BY JPS	DATE 3/17/03
1 PLACE (X) ±.060"	TOLERANCES- UNLESS OTHERWISE NOTED FRACTIONS ±1/32" ANGLES ±1/2°	SCALE 1:8	REDRAWN BY	CHECKED BY GAR	DATE 06/20/07
2 PLACE (XX) ±.015"		TITLE BC-50 AUTO SCALE ASSEMBLY			
3 PLACE (XXX) ±.005"		PART NUMBER A105450B			
4 PLACE (XXXX) ±.0005"		REVISION -			


THIS DRAWING IS BAYER CROPSCIENCE PROPERTY FOR USE WITH GUSTAFSON EQUIPMENT ONLY. ALL DESIGNS AND INVENTION RIGHTS.		Gustafson 		www.gustafson.com	
---	--	---	--	-------------------	--

Gustafson 		www.gustafson.com	
---	--	-------------------	--

ITEM NO.	PART NO.	TITLE	QTY.
1	A379010B	SCALE ASSEMBLY	1
2	A105410B	DUST EVACUATION ASS'Y	1
3	A105460A	BC-50 SCALE INLET AUTOMATIC	1
4	E001065A	BC SCALE ACCUMULATOR	1
5	A228001B	BC50/501 TRANS WLDT	1
6	A105250A	LIFTING LUG	2
7	P000878	LOADCELL SUMMING BOX	1

REVISIONS
B) REPLACED A105900 WITH A379010, JDB 6/28/05



ASSUMED SYMMETRY OF PARTS IS USED, UNLESS OTHERWISE DIMENSIONED	MFG. APPROVAL X	DATE X	DRAWN BY JPS	DATE 3/17/03	 www.gustafson.com
1 PLACE (X) ± .060" TOLERANCES- 2 PLACE (XX) ± .015" UNLESS OTHERWISE NOTED 3 PLACE (XXX) ± .005" FRACTIONS ±1/32" 4 PLACE (XXXX) ± .0005" ANGLES ± 1/2"	SCALE 1:9		CHECKED BY GAR	DATE 06/20/07	
THIS DRAWING IS GUSTAFSON LLC PROPERTY FOR USE WITH GUSTAFSON LLC EQUIPMENT ONLY. ALL DESIGN AND INVENTION RIGHTS.	TITLE BC-50 AUTO SCALE ASSEMBLY			PART NUMBER A105450B	REVISION -