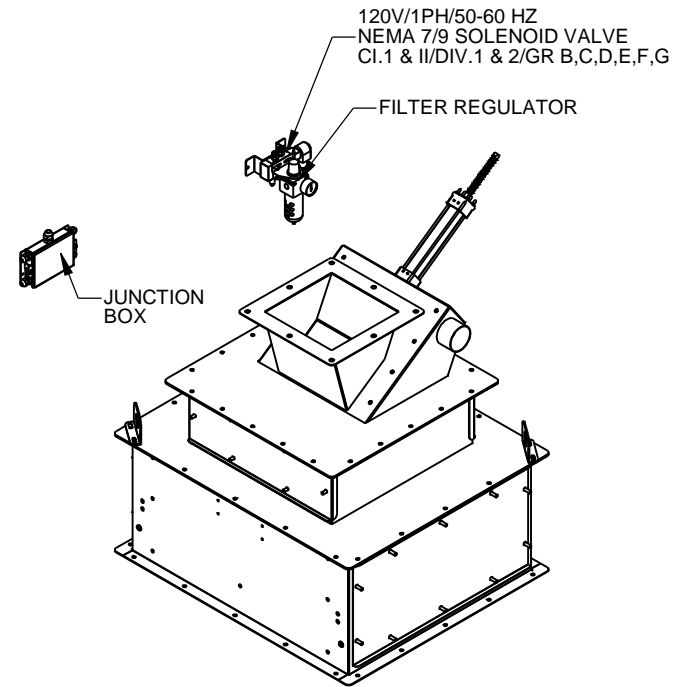
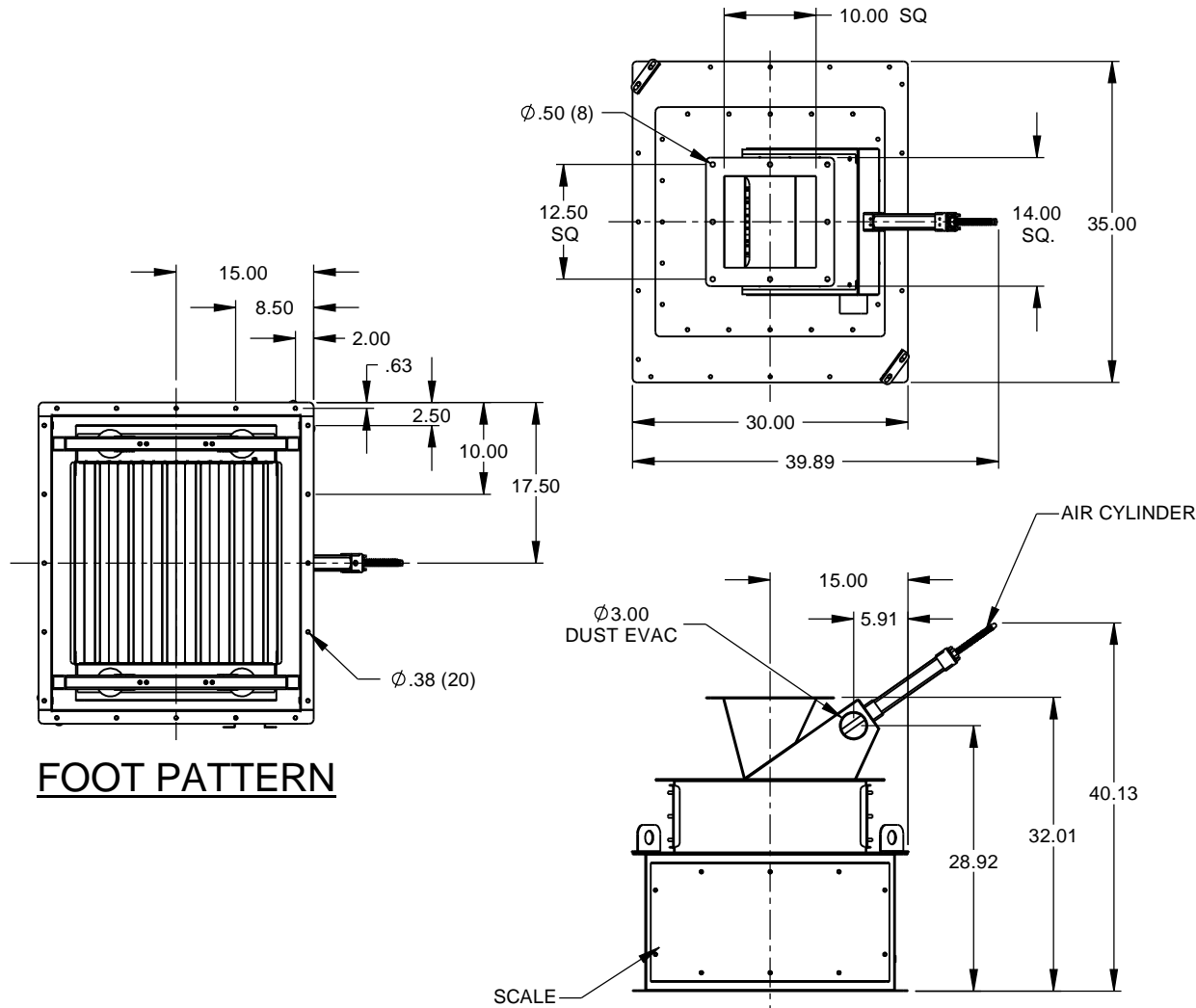


CONSTRUCTION: 304 S.S.
DIM TOL: ±.25

REVISIONS



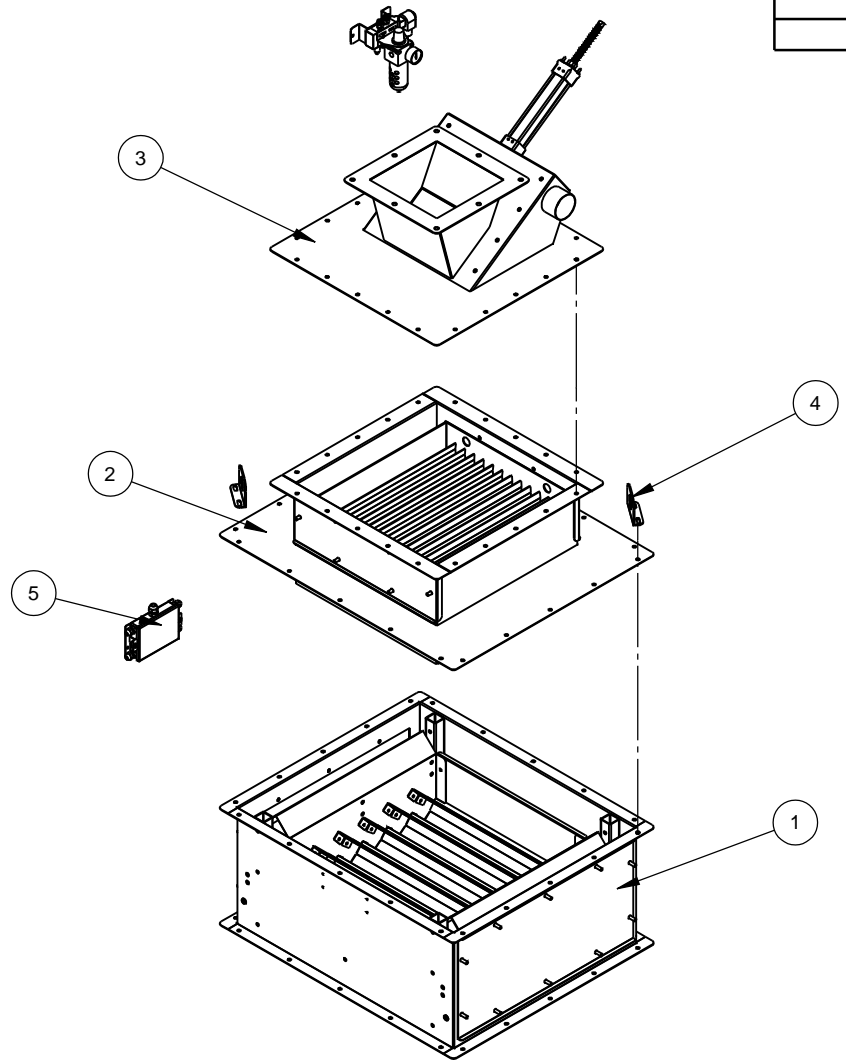
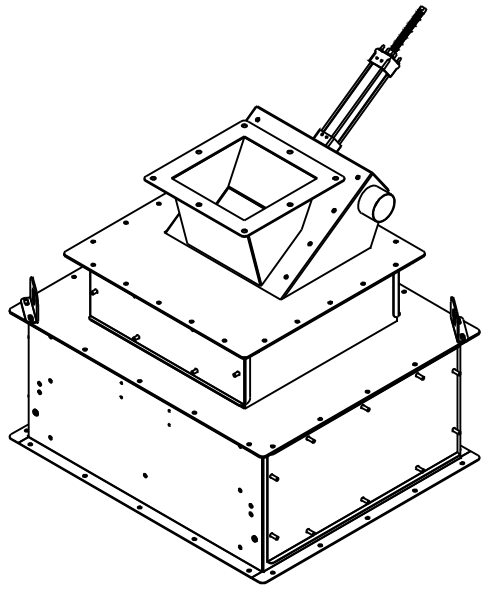
CUSTOMER
P.O.#
(-) UNITS REQ'D

ASSUMED SYMMETRY OF PARTS IS USED, UNLESS OTHERWISE DIMENSIONED 1 PLACE (X) ± .060" TOLERANCES 2 PLACE (XX) ± .015" UNLESS OTHERWISE NOTED 3 PLACE (XXX) ± .005" FRACTIONS+1/32" 4 PLACE (XXXX) ± .0005" ANGLES+1/2°	MFG. APPROVAL	DATE	DRAWN BY	DATE
	SCALE 1:13	REDRAWN BY	CHECKED BY	DATE
TITLE BC-150 ASS'Y		PART NUMBER A247000A		REVISION -

Gustafson 
www.gustafson.com

ITEM NO.	PART NO.	TITLE	QTY.
1	A247900C	BC-150 SCALE ASS'Y	1
2	A247410A	DUST EVACUATION ASS'Y	1
3	A247460A	BC-150 SCALE INLET AUTOMATIC	1
4	A105250A	LIFTING LUG	2
5	P000878	JUNCTION BOX	1

REVISIONS



ASSUMED SYMMETRY OF PARTS IS USED, UNLESS OTHERWISE DIMENSIONED 1 PLACE (X) ± .060" TOLERANCES- 2 PLACE (XX) ± .015" UNLESS OTHERWISE NOTED 3 PLACE (XXX) ± .005" FRACTIONS+1/32" 4 PLACE (XXXX) ± .0005" ANGLES ±1/2"	MFG. APPROVAL	DATE	DRAWN BY	DATE
	SCALE 1:13	REDRAWN BY	CHECKED BY	DATE
THIS DRAWING IS BAYER CROPSCIENCE PROPERTY FOR USE WITH GUSTAFSON EQUIPMENT ONLY. ALL DESIGNS AND INVENTION RIGHTS.	TITLE		PART NUMBER	
	BC-150 ASS'Y		A247000A	

Gustafson

www.gustafson.com

PART NUMBER	REVISION
A247000A	-