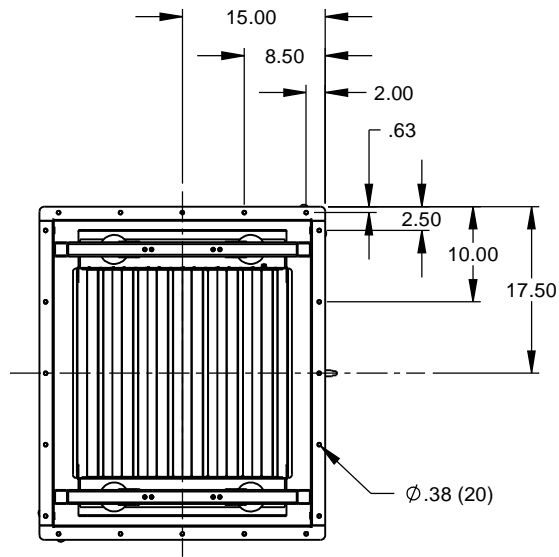
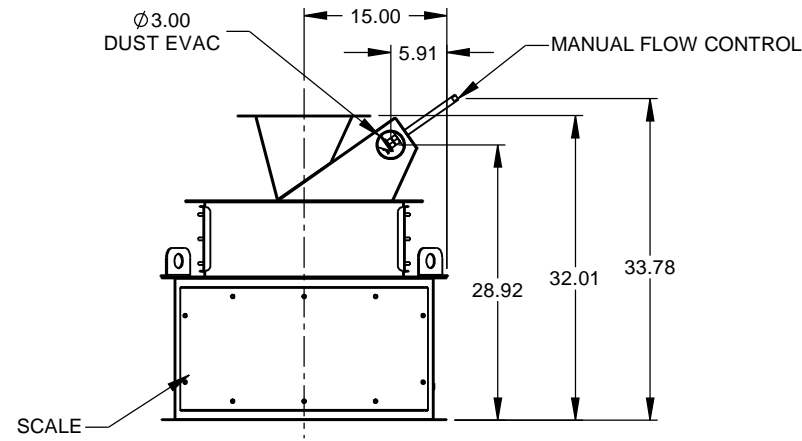
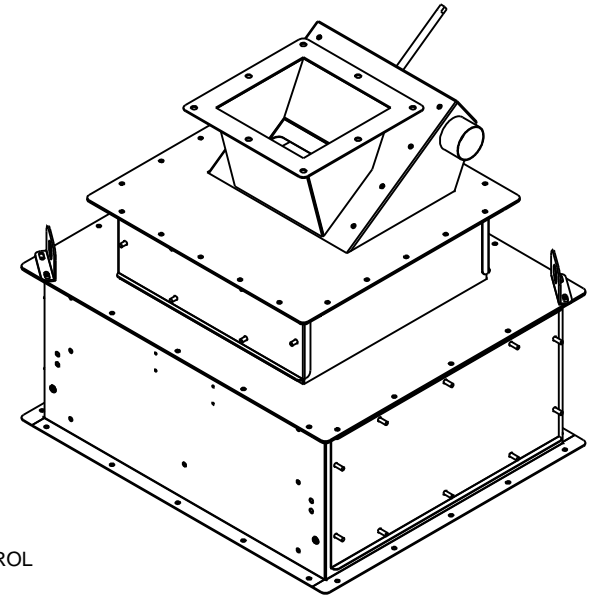
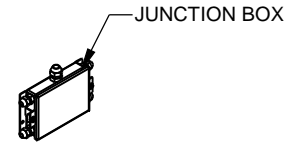
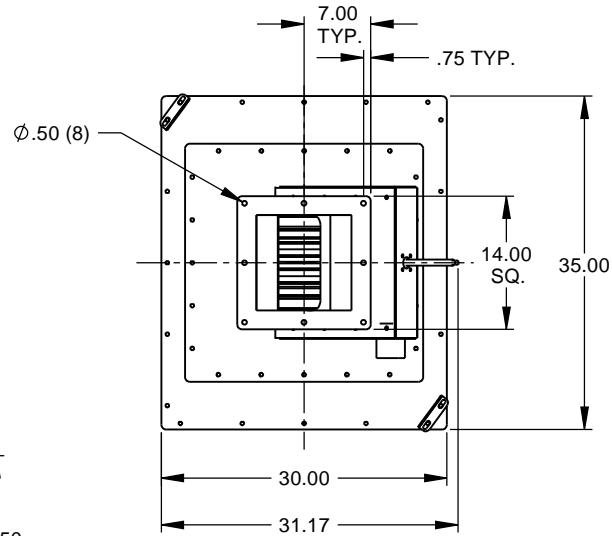


CONSTRUCTION: 304 S.S.  
DIM TOL: ±.25

REVISIONS



**FOOT PATTERN**



CUSTOMER  
P.O.#  
(-) UNITS REQ'D

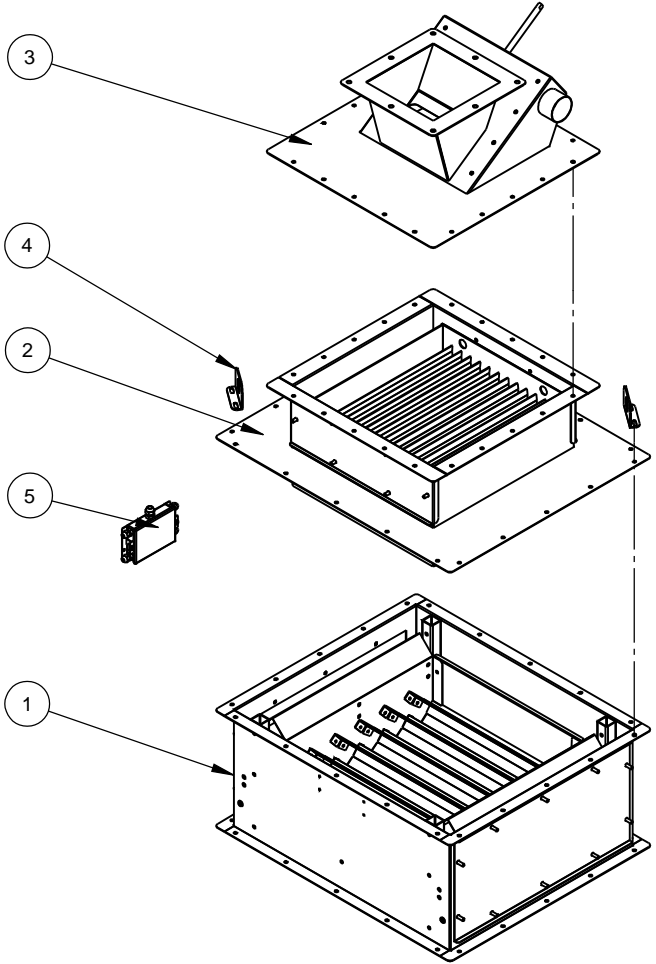
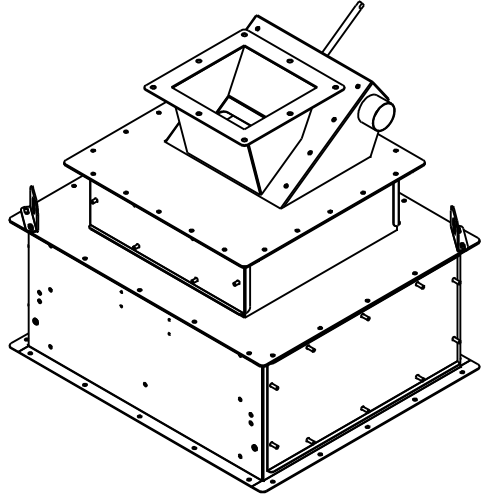
ASSUMED SYMMETRY OF PARTS IS USED, UNLESS OTHERWISE DIMENSIONED  1 PLACE (X) ± .060" TOLERANCES 2 PLACE (XX) ± .015" UNLESS OTHERWISE NOTED 3 PLACE (XXX) ± .005" FRACTIONS+1/32" 4 PLACE (XXXX) ± .0005" ANGLES+1/2°	MFG. APPROVAL XX	DATE 12/14/04	DRAWN BY SAW	DATE 11/10/04
	SCALE 1:13	REDRAWN BY -	CHECKED BY SRS	DATE 12/14/04
TITLE <b>BC-150 MANUAL ASS'Y.</b>				

**Gustafson**   
www.gustafson.com

PART NUMBER <b>A247100A</b>	REVISION -
--------------------------------	---------------

ITEM NO.	PART NO.	TITLE	QTY.
1	A247900C	BC-150 SCALE ASS'Y	1
2	A247410A	DUST EVACUATION ASS'Y	1
3	A247430A	MANUAL INLET ASSY.	1
4	A105250A	LIFTING LUG	2
5	P000878	JUNCTION BOX	1

REVISIONS



ASSUMED SYMMETRY OF PARTS IS USED, UNLESS OTHERWISE DIMENSIONED  1 PLACE (X) ± .060" TOLERANCES- 2 PLACE (XX) ± .015" UNLESS OTHERWISE NOTED 3 PLACE (XXX) ± .005" FRACTIONS+1/32" 4 PLACE (XXXX) ± .0005" ANGLES ±1/2°	MFG. APPROVAL XX	DATE 12/14/04	DRAWN BY SAW	DATE 11/10/04
	SCALE 1:13	REDRAWN BY -	CHECKED BY SRS	DATE 12/14/04
THIS DRAWING IS BAYER CROPSCIENCE PROPERTY FOR USE WITH GUSTAFSON EQUIPMENT ONLY. ALL DESIGNS AND INVENTION RIGHTS.				

<b>Gustafson</b>  www.gustafson.com	
TITLE BC-150 MANUAL ASS'Y.	PART NUMBER <b>A247100A</b>  REVISION -