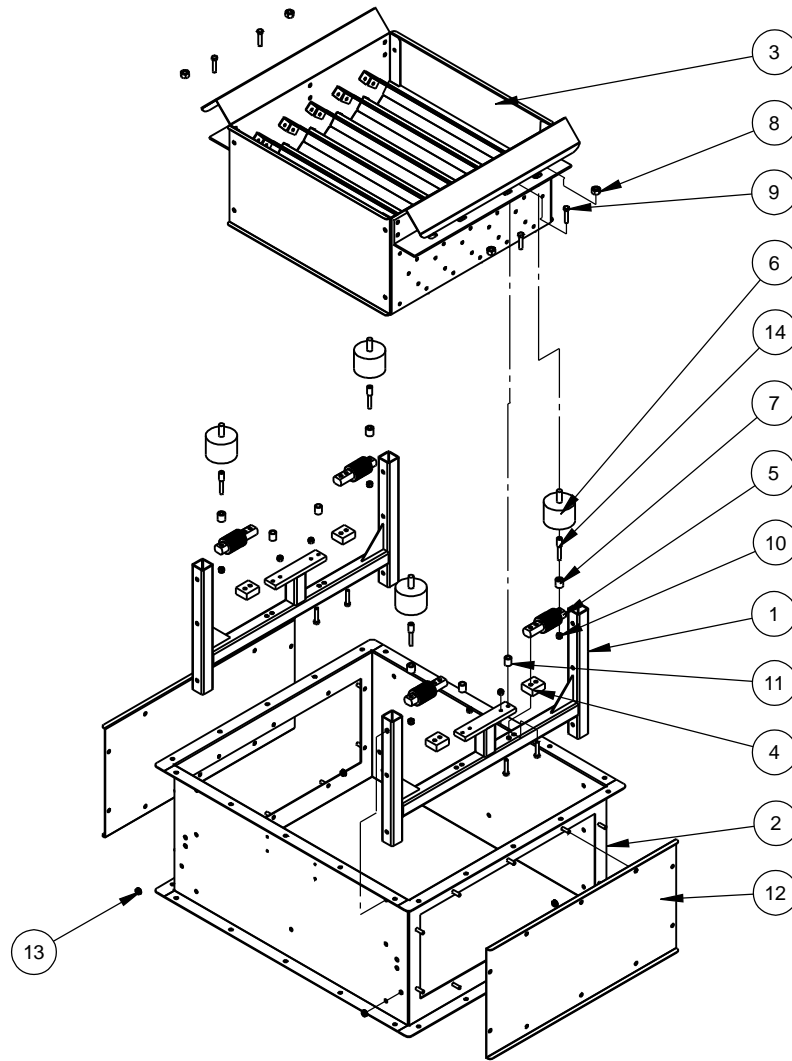
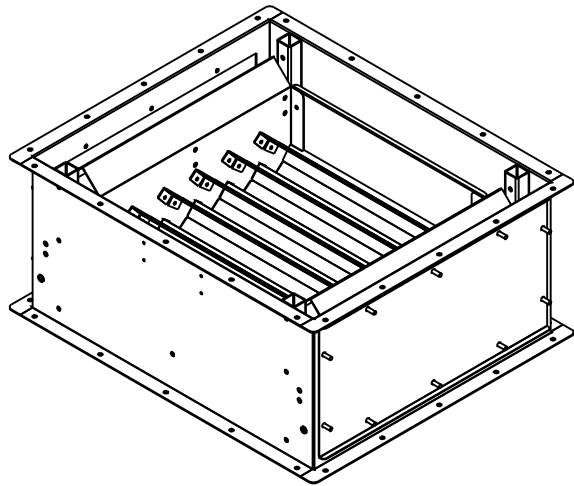



ITEM NO.	PART NO.	TITLE	QTY.
1	A247225B	SUPPORT FRAME	2
2	A247300B	BOX WLDT	1
3	A247240A	BASKET ASSY	1
4	A247034D	MOUNT SPACER	4
5	P000838	LOAD CELL	4
6	P000139	STOP	4
7	A007376A	MOUNT SLEEVE	4
8	23900100	1/2-13 HEX NUT SS	4
9	17951300	.3125-18 x 1.50 HEX BOLT SS	8
10	24090500	.31-18 HEX LOCK NUT SS	8
11	A247231B	SHIPPING SPACER	4
12	A247310A	DOOR	2
13	33400300	RUBBER GROMMET	4
14	A007919A	MOUNT STUD	4

REVISIONS
B) CHANGED BODY & DOORS, SAW 12/13/04
C) REPLACED #A007375 WITH #A007919, JDB 4/5/05



ASSUMED SYMMETRY OF PARTS IS USED, UNLESS OTHERWISE DIMENSIONED		MFG. APPROVAL	DATE	DRAWN BY	DATE	 www.gustafson.com	
1 PLACE (X) ± .060" TOLERANCES 2 PLACE (XX) ± .015" UNLESS OTHERWISE NOTED 3 PLACE (XXX) ± .005" FRACTIONS+1/32" 4 PLACE (XXXX) ± .0005" ANGLES ±1/2"		SCALE	1:12	REDRAWN BY	CHECKED BY		DATE
THIS DRAWING IS BAYER CROPSCIENCE PROPERTY FOR USE WITH GUSTAFSON EQUIPMENT ONLY. ALL DESIGNS AND INVENTION RIGHTS.		TITLE				PART NUMBER	REVISION
		BC-150 SCALE ASS'Y				A247900C	-