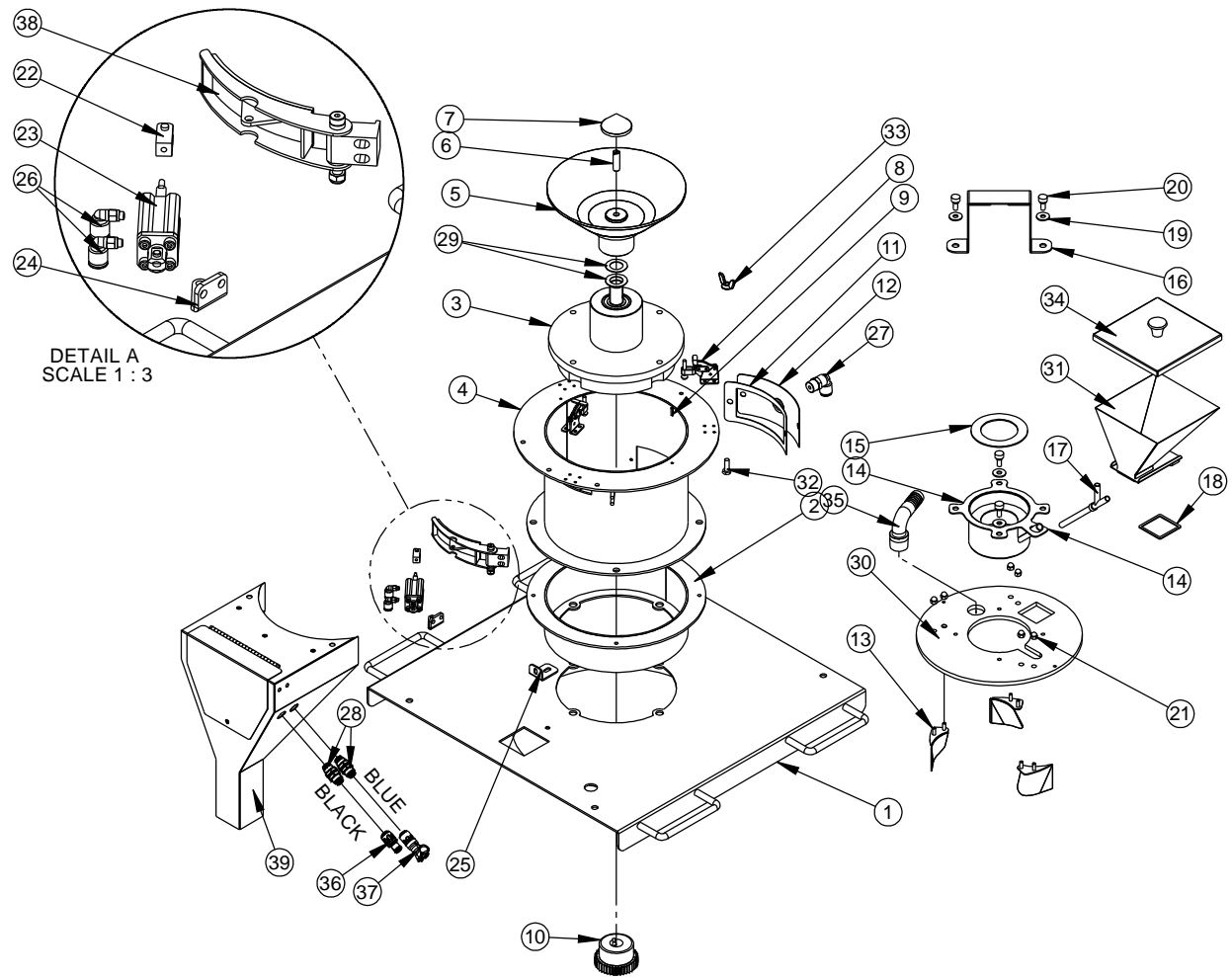


ITEM NO.	PART NUMBER	TITLE	QTY.
1	A341224A	BODY PLATE WELDMENT	1
2	A341260A	BOTTOM CYL. WELDMENT	1
3	A341025B	BEARING HOUSING ASSY.	1
4	A341268A	TOP CYL. WELDMENT	1
5	A341215A	BOWL REWORK	1
6	A341203A	BOWL HEIGHT SCREW	1
7	A341202A	HEIGHT SCREW COVER	1
8	P000961	Hold Down Clamp - 305U	3
9	P000055	.125 X .50 S.S. ROLL PIN	2
10	P001063	COUPLING GEAR	1
11	A341221A	ACCESS DOOR GASKET	1
12	A341223A	ACCESS DOOR WELDMENT	1
13	A341295B	FIN WELDMENT	3
14	A341285A	ATOMIZER MOUNT WELDMENT	1
15	A341084A	MOTOR GASKET	1
16	A341290A	ATOMIZER STRAP ASSY.	1
17	A341216B	CHEMICAL TUBE WELDMENT	1
18	A341204A	INLET GASKET	1
19	P001071	1/4 x 3/4 x 1/16 Thk Nylon Wshr	4
20	P000890	1/4-20 x 1/2 Alum Thmb Scr	4
21	P001062	#8-32 NYLON CAP NUT	6
22	P001059	#8-32 CLEVIS with 3/16" Dia PIN & Clips	1
23	P001060	12mmx 25mm (BxS) AIR CYLINDER	1
24	A341018A	PIVOT EAR	1
25	A341220A	ATTACH TAB	1
26	P001061	M5 - 1/4" POLY 90 - PRESSLOCK	2
27	27552700	Press Lock Fitting; 3/8"NPT X 3/8" Tube, 90deg	1
28	P000393	1/4" Bulkhead Assy.	2
29	A341940A	SPACER - BOWL HUB	VARIABLES
30	A341289C	TOP COVER (1/2 - 2 LB BOWL)	1
31	A341320A	MAN SEED INLET - 8OZ - 1.5 LB	1
32	17950600	1/4-20 x .75 HEX BOLT SS	1
33	16300400	1/4 X 20 WING NUT	1
34	A341340A	SEED INLET COVER ASSY	1
35	P001252	3/4"NPT X 3/4" Barb 90deg Plastic	1
36	23670600	1/4" OD MALE FITTING	1
37	23670500	1/4" OD FEM. FITTING	1
38	A341266B	DOOR ASSY - .5 to 1.5 lb	1
39	A341270B	DISCHARGE TRANS WLDT	1

REVISIONS			
REV.	DESCRIPTION	DATE	APPROVED
B	REMOVE A341027 - REPLACE A341025A WITH A341025B AND A341270A WITH A341270B PER ECO	3/20/2009	SRS



1 REQ'D / UNIT
BMC .25/5

ASSUMED SYMMETRY OF PARTS IS USED, UNLESS OTHERWISE DIMENSIONED	MFG. APPROVAL X	DATE X	DRAWN BY SAW	DATE 8/5/04	 www.gustafson.com
1 PLACE (X) ± .060" TOLERANCES- 2 PLACE (XX) ± .015" UNLESS OTHERWISE NOTED 3 PLACE (XXX) ± .005" FRACTIONS+1/32" 4 PLACE (XXXX) ± .0005" ANGLES+1/2"	SCALE 1:7	REDRAWN BY -	CHECKED BY GAR	DATE 12/05/06	
THIS DRAWING IS BAYER CROPSCIENCE PROPERTY FOR USE WITH GUSTAFSON EQUIPMENT ONLY. ALL DESIGN AND INVENTION RIGHTS					PART NUMBER A341250B
TITLE SM. BODY ASSY - 8oz to 1.5lb (MAN)					REVISION -