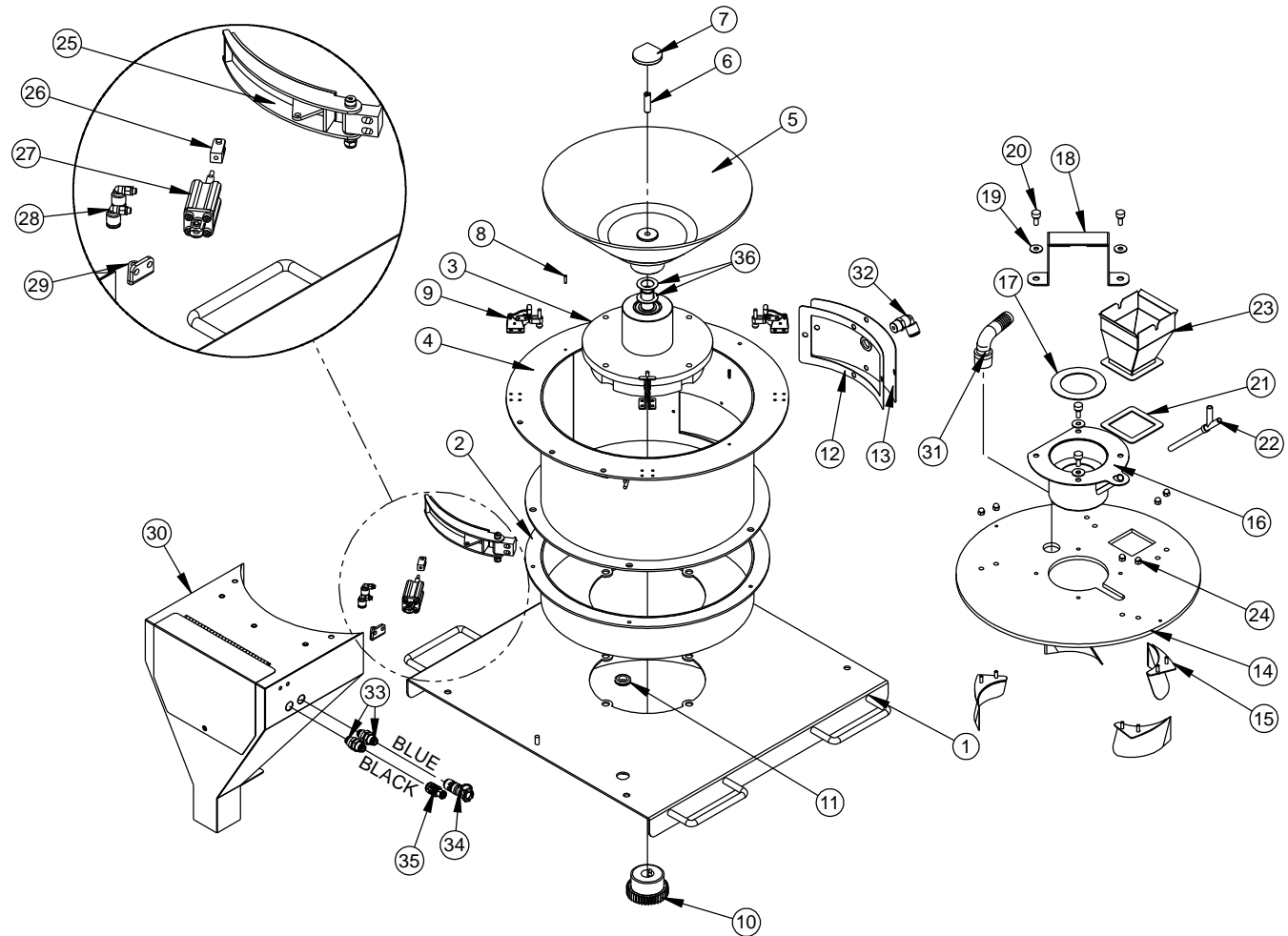


ITEM NO.	PART NUMBER	TITLE	QTY.
1	A341024A	BODY PLATE WELDMENT	1
2	A341060A	BOTTOM CYL. WELDMENT	1
3	A341025B	BEARING HOUSING ASSY.	1
4	A341068A	TOP CYL. WELDMENT	1
5	A341015A	BOWL REWORK	1
6	A341203A	BOWL HEIGHT SCREW	1
7	A341202A	HEIGHT SCREW COVER	1
8	P000055	.125 X .50 S.S. ROLL PIN	2
9	P000961	Hold Down Clamp - 305U	4
10	P001063	COUPLING GEAR	1
11	33400400	RUBBER GROMMET 1/2"	1
12	A341021A	ACCESS DOOR GASKET	1
13	A341023A	ACCESS DOOR WELDMENT	1
14	A341089C	TOP COVER (2-5LB BOWL)	1
15	A341095A	FIN WELDMENT	4
16	A341085A	ATOMIZER MOUNT WELDMENT	1
17	A341084A	MOTOR GASKET	1
18	A341090A	ATOMIZER STRAP ASSY.	1
19	P001071	1/4 x 3/4 x 1/16 Thk Nylon Wshr	4
20	P000890	1/4-20 x 1/2 Alum Thmb Scr	4
21	A341301A	INLET GASKET	1
22	A341016B	CHEMICAL TUBE WELDMENT	1
23	A341771E	MED. TRANSITION WELDMENT	1
24	P001062	#8-32 NYLON CAP NUT	8
25	A341066B	DOOR ASSY - 1.5 to 5 lb	1
26	P001059	#8-32 CLEVIS with 3/16" Dia PIN & Clips	1
27	P001060	12mmx 25mm (BxS) AIR CYLINDER	1
28	P001061	M5 - 1/4" POLY 90 - PRESSLOCK	2
29	A341018A	PIVOT EAR	1
30	A341070B	DISCHARGE WELDMENT	1
31	P001252	3/4"NPT X 3/4" Barb 90deg Plastic	1
32	27552700	Press Lock Fitting: 3/8"NPT X 3/8" Tube, 90deg	1
33	P000393	1/4" Bulkhead Assy.	2
34	23670500	1/4" OD FEM. FITTING	1
35	23670600	1/4" OD MALE FITTING	1
36	A341940A	SPACER - BOWL HUB	Varies

REVISIONS			
REV.	DESCRIPTION	DATE	APPROVED
B	REMOVE A341027 - REPLACE A341025A WITH A341025B AND A341070A WITH A341070B PER ECO	3/20/2009	SRS



ASSUMED SYMMETRY OF PARTS IS USED, UNLESS OTHERWISE DIMENSIONED	MFG. APPROVAL X	DATE X	DRAWN BY SAW	DATE 6/18/04
1 PLACE (X) ± .060" TOLERANCES- 2 PLACE (XX) ± .015" UNLESS OTHERWISE NOTED 3 PLACE (XXX) ± .005" FRACTIONS +1/32" 4 PLACE (XXXX) ± .0005" ANGLES +1/2"	SCALE 1:7	REDRAWN BY -	CHECKED BY GAR	DATE 11/20/06
THIS DRAWING IS BAYER CROPSOURCE PROPERTY FOR USE WITH GUSTAFSON EQUIPMENT ONLY. ALL DESIGN AND INVENTION RIGHTS.	TITLE MEDIUM BODY ASSY - 1.5 to 5 lb		PART NUMBER A341300B	

Gustafson 
www.gustafson.com

1 REQ'D / UNIT

REVISION
-