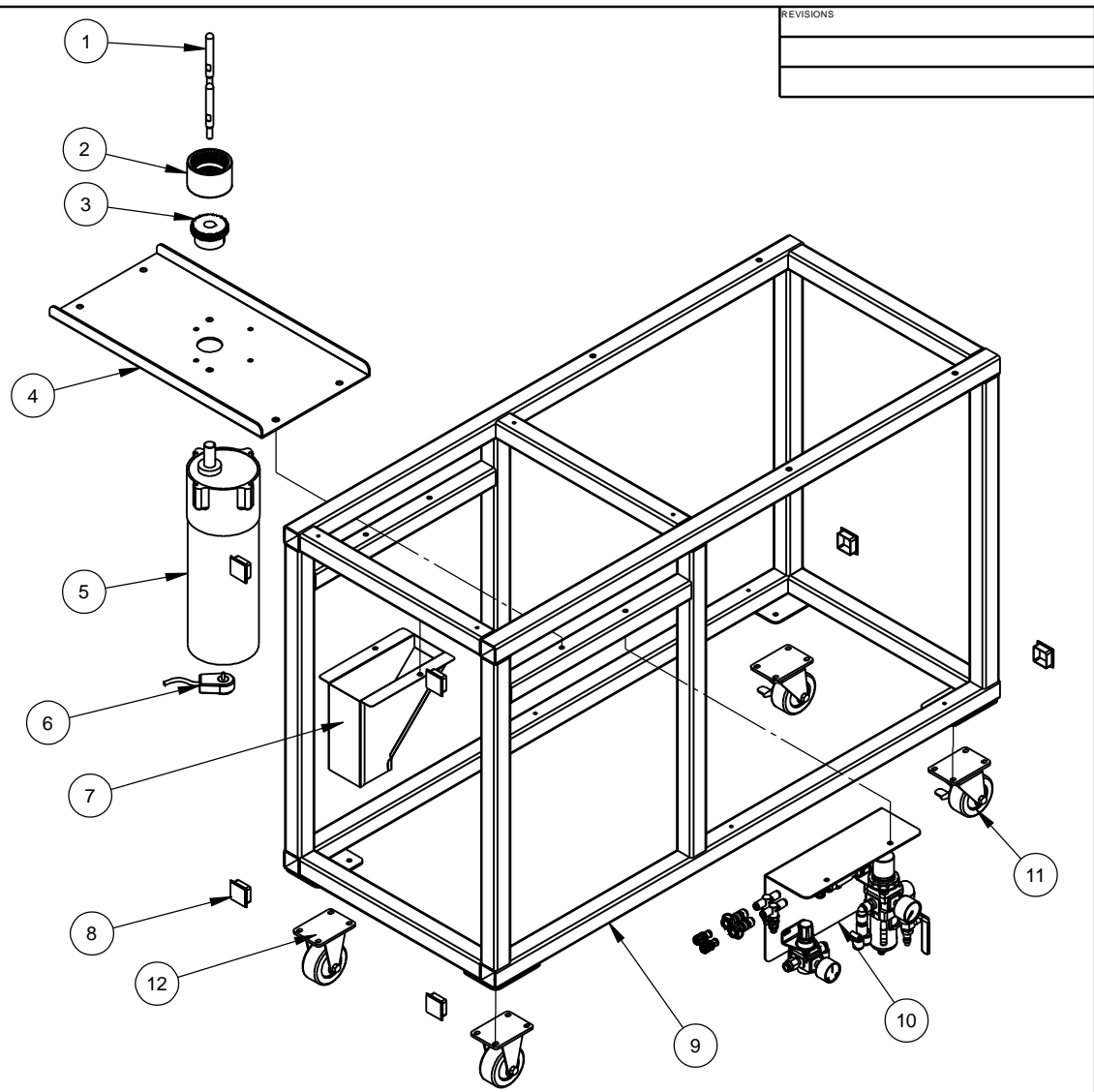



ITEM NO.	PART NUMBER	TITLE	QTY.
1	A341028A	ALIGNMENT ROD	2
2	P001072	COUPLING SLEEVE M32	1
3	P001063	COUPLING GEAR	1
4	A341030B	MOTOR MOUNT PLATE	1
5	P001058	BALDOR GEARMOTOR - GPP3348	1
6	18297500	ROTARY ENCODER (PU-2E)	1
7	A341100A	VARIABLE DISCHARGE WELDMENT	1
8	25913500	SQ. CAP .PLUG	6
9	A341050B	FRAME WELDMENT	1
10	A341655A	AIR PLUMBING ASSY. (MAN)	1
11	P001118	3" SWIVEL CASTER W/BRAKE	2
12	P001119	3" RIGID CASTER	2



REVISIONS

ASSUMED SYMMETRY OF PARTS IS USED, UNLESS OTHERWISE DIMENSIONED  1 PLACE (X) ± .060" TOLERANCES- 2 PLACE (XX) ± .015" UNLESS OTHERWISE NOTED 3 PLACE (XXX) ± .005" FRACTIONS 1/32" 4 PLACE (XXX) ± .0005" ANGLES ± 1/2"	MFG. APPROVAL	DATE	DRAWN BY GAR	DATE 09-29-05	<b>Gustafson</b>  www.gustafson.com
	SCALE 1:8	REDRAWN BY	CHECKED BY	DATE	
THIS DRAWING IS GUSTAFSON LLC PROPERTY FOR USE WITH GUSTAFSON LLC EQUIPMENT ONLY. ALL DESIGN AND INVENTION RIGHTS.	TITLE LOWER FRAME ASSY. (MAN)			PART NUMBER A341650A	REVISION -

1 REQ'D / UNIT  
BMC .25/5