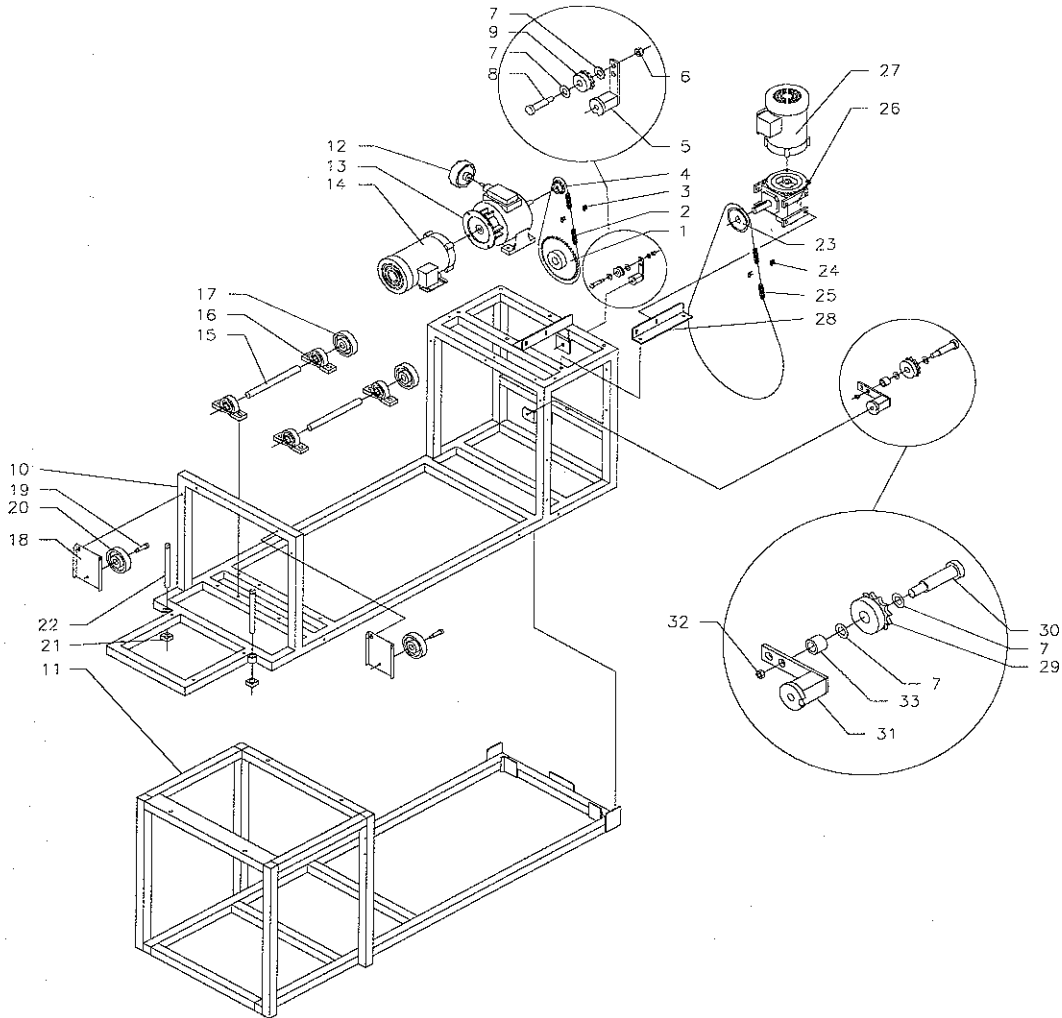


# **ACCU-COAT**

**PARTS LISTS APPENDIX  
122804**

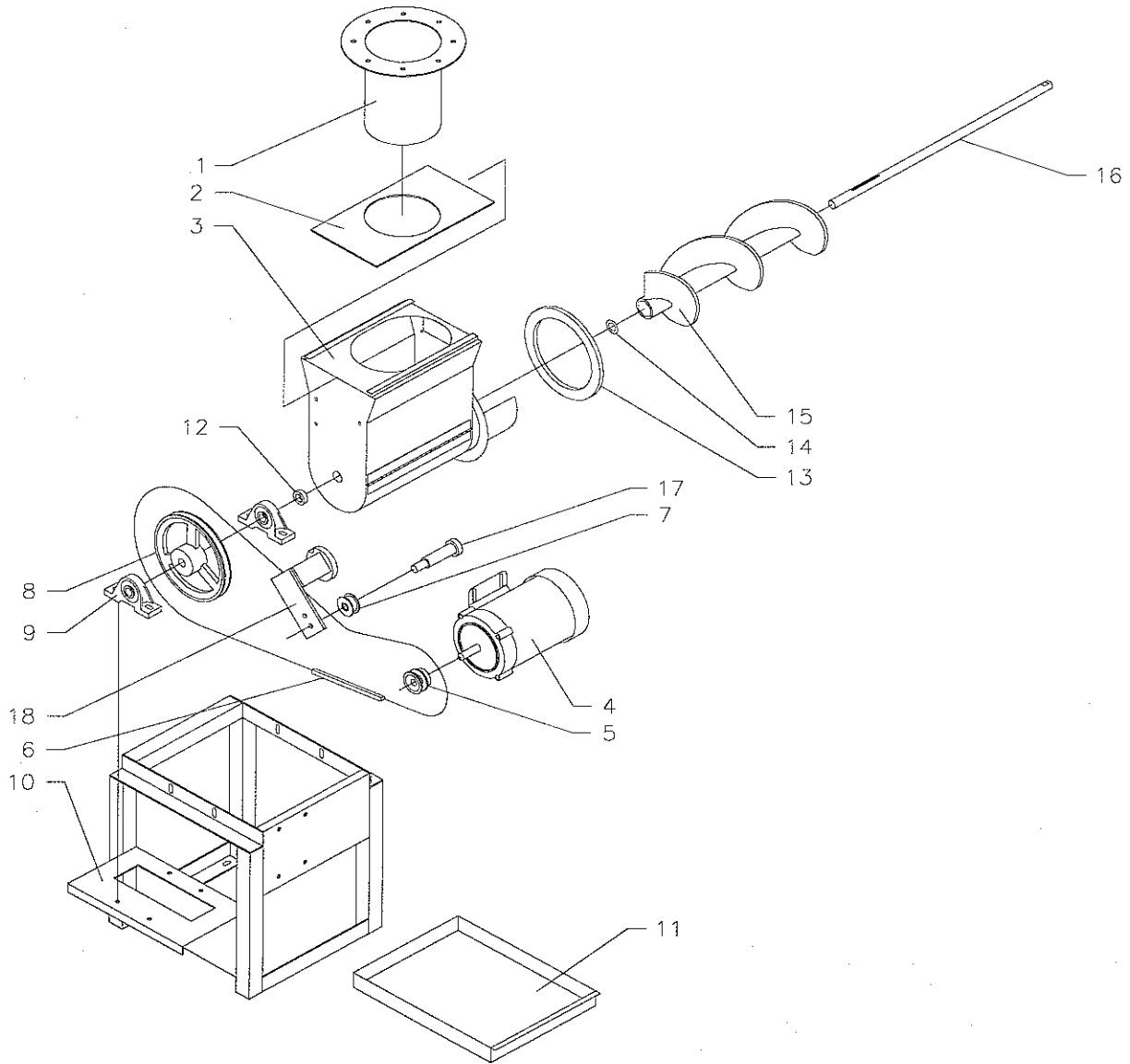
# ACCU-COAT MOUNTING FRAME

REF	DESCRIPTION	PART# / QTY	REF	DESCRIPTION	PART# / QTY
1	BLENDER DRIVE SPROCKET	A050148	18	HOLD DOWN BRACKET	18832000 (2)
2	ROLLER CHAIN #50	19027800 (6')	19	SHOULDER BOLT 1/2"x1-1/2"	35004202 (2)
3	CONNECTION LINK #50	19028600	20	IDLER WHEEL	A050151 (2)
4	MOTOR DRIVE SPROCKET	A050149	21	NUT 3/4-10	32190102 (2)
5	CHAIN TENSIONER	P000226	22	ADJUSTMENT ROD	A050177 (2)
6	JAM NUT 3/8-16	P000225 (2)	23	DRUM DRIVE SPROCKET	A050150
7	OILITE WASHER	6366 (4)	24	CONNECTION LINK #40	17230200
8	SHOULDER BOLT 1/2"x1"	41006000	25	ROLLER CHAIN #40	17230000
9	IDLER SPROCKET	26170900	26	GEAR REDUCER	20380200
10	UPPER FRAME	A050050	27	MOTOR	P000369
11	LOWER FRAME	A050020	28	GEAR REDUCER MOUNT	18833007
12	SPEED ADJUSTMENT KNOB	30640000	29	TENSION SPROCKET	A050178
13	V/S MOTOR	30920300	30	SHOULDER BOLT 3/8-16x1-1/2"	20870400
14	AUGER DRIVE MOTOR	30221100	31	CHAIN TENSIONER	18294200
15	DRIVE WHEEL SHAFT	18831000 (2)	32	LOCK NUT 3/8"	P000227
16	BEARING 15/16"	34080000 (4)	33	TENSIONER SPACER	A050196
17	DRUM WHEEL	A050190 (2)	<b>FRAME ASSEMBLY</b>		<b>A050500</b>



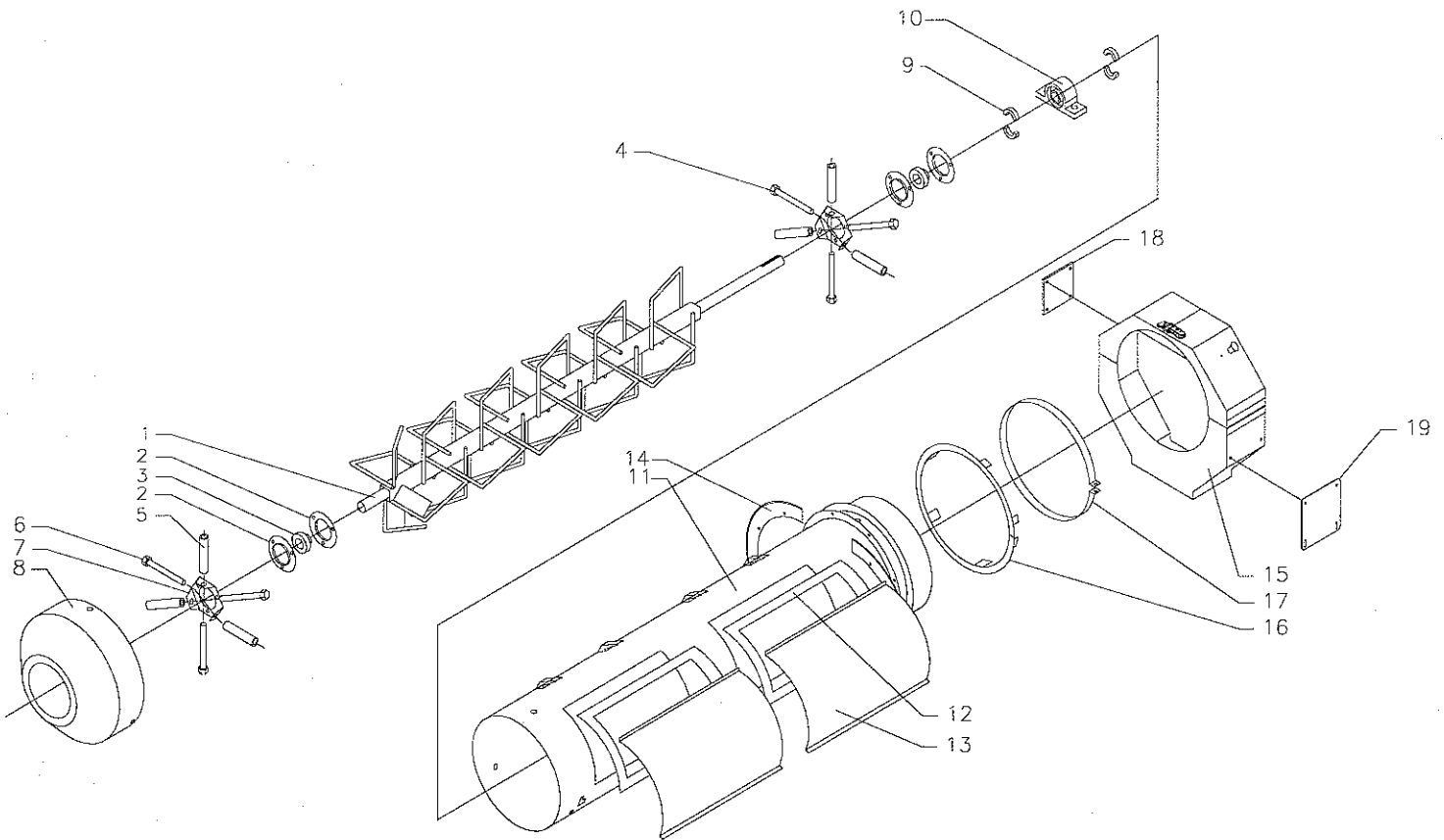
# ACCU-COAT INLET AUGER ASSEMBLY

REF	DESCRIPTION	PART# /QTY	REF	DESCRIPTION	PART# /QTY
1	TRANSITION SPOUT	A050139	10	AUGER FRAME RH	A050184
2	SPOUT SLIDER	A050175	11	DRAIN PANEL	A050157
3	AUGER HOUSING	A050075	12	SMALL SPACER	A050154
4	MOTOR 1/2hp	20291000	13	LARGE SPACER	A050153
5	PULLEY 2"	20220100	14	WASHER 3/4" x 2"	25690100
6	V-BELT	30620800	15	FEED INLET AUGER RH	A050087
7	FLAT PULLEY with bearing	18295000	16	FEED AUGER SHAFT	A050086
8	PULLEY 3/4"	17590800	17	SHOULDER BOLT 1/2" x 1"	41006000
9	PILLOW BLOCK BEARING 3/4"	30570000 (2)	18	CHAIN TENSIONER SE-11	18294200
<b>COMPLETE ASSEMBLY</b>					<b>A050600</b>



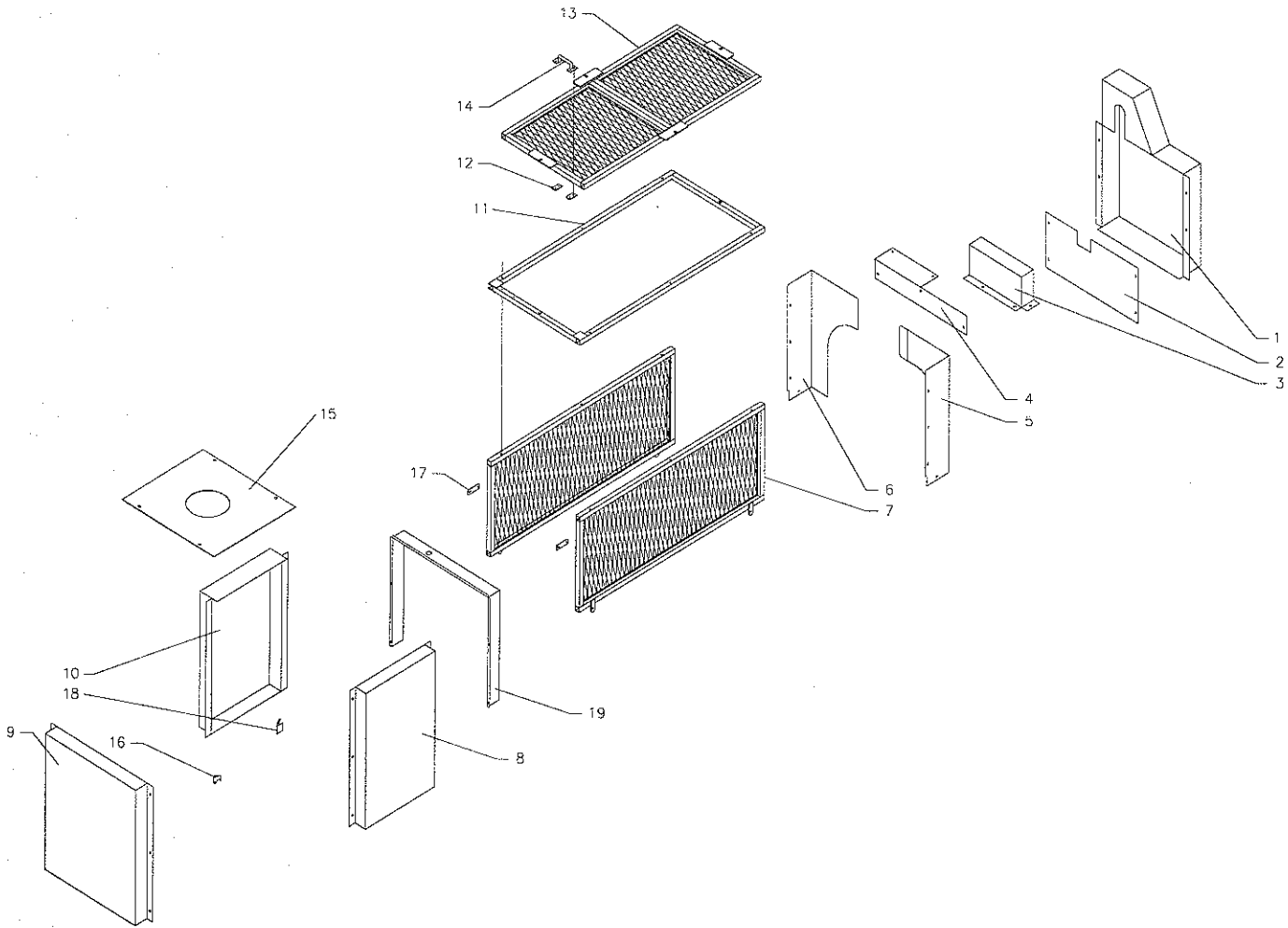
# ACCU-COAT DRUM & AUGER

REF	DESCRIPTION	PART#/ QTY	REF	DESCRIPTION	PART#/ QTY
1	AUGER	A050090	11	DRUM	A050165
2	FLANGETTE 1-1/4"	30970100 (4)	12	DOOR GASKET	A050155
3	INSERT BEARING 1-1/4"	30970000 (2)	13	DRUM DOOR	A050194 (2)
4	DRUM ROD, LONG	A050145 (3)	14	DRUM SPROCKET	A050167
5	AUGER TUBE	18811500 (6)	15	DOGHOUSE	A050060
6	DRUM ROD, SHORT	A050146 (3)	16	SPLASH GUARD	18817000
7	BEARING PLATE	18810000 (2)	17	GUARD RETAINER	18816000
8	INLET CASTING	18818101	18	DUST COVER	A050073
9	2pc SET COLLAR 1-1/4"	88765200 (2)	19	DOGHOUSE SUPPORT	A050074
10	P-B BEARING 1-1/4"	30960000		<b>COMPLETE ASSEMBLY</b>	<b>A050700</b>



# ACCU-COAT GUARDS

REF	DESCRIPTION	PART# / QTY	REF	DESCRIPTION	PART# / QTY
1	CHAIN GUARD	18825000	11	TOP GUARD FRAME	A050251
2	GUARD PLATE	A050170	12	DOOR HANDLE PLATE	A050171 (2)
3	BELT GUARD	18835000	13	TOP GUARD	A050250
4	UPPER GUARD	A050160	14	DOOR HANDLE	26210500 (2)
5	CHAIN GUARD 1	A050134	15	INLET GUARD PLATE	A234030
6	CHAIN GUARD 2	A050138	16	LATCH HASP	A050751
7	SIDE GUARD	A050252 (2)	17	GUARD MOUNT TAB	A050195 (2)
8	AUGER GUARD PANEL 1	A050109	18	SNAP LATCHES	18190100 (2)
9	END BELT GUARD	A050107	19	DRUM GUARD	A050162
10	AUGER GUARD PANEL 2	A050111	<b>Included in the Accu-Coat</b>		<b>A050000</b>



m:\operation,manuals,tech\boms\Accu-Coatappendix  
10/13/04-eco revised top & side guards

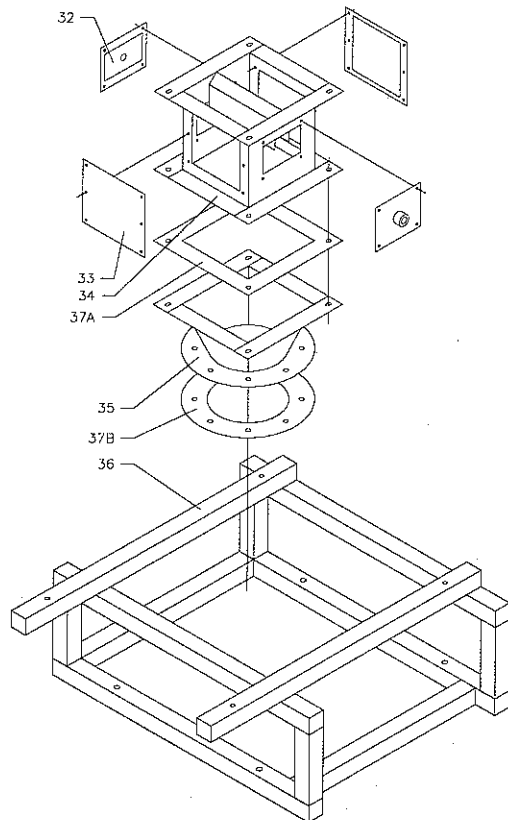
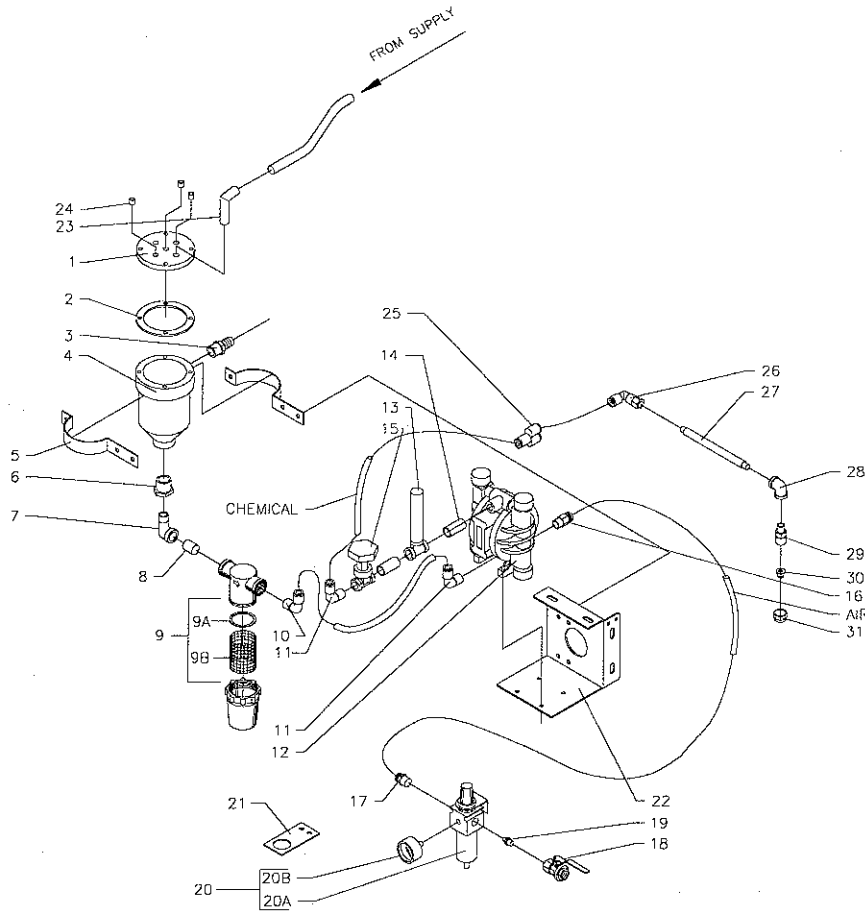
## ACCU-COAT P.P.S & ACCU-TREAT ADAPTER KIT

REF	DESCRIPTION	ACCU-COAT	ACCU-TREAT
1	PRESSURE CUP COVER	30400200	30400200
2	PRESSURE CUP GASKET	30400300	30400300
3	BRASS FITTING 1/2"NPT x 5/8"BARB	30400700	30400700
4	PRESSURE CUP	30400100	30400100
5	CHEMICAL BOWL BRACKET	30401100 (2)	30401100 (2)
6	SS HEX BUSHING REDUCER 3/4" x 1/2"	23081900	23081900
7	SS PIPE STREET ELBOW 1/2"	23082700	23082700
8	PVC PIPE CLOSE NIPPLE 1/2"	28032100	28032100
9	FILTER 1/2"	18970000	18970000
9A	FILTER GASKET	18970200	18970200
9B	FILTER SCREEN	18970300	18970300
10	PRESS-LOCK ELBOW 1/2"NPT x 3/8"HOSE	25500100	25500100
11	PRESS-LOCK ELBOW 1/4"NPT x 3/8"HOSE	27552600 (2)	27552600 (2)
12	AIR PUMP	30400600	30400600
13	FLOW EQUALIZER	30401300	30401300
14	SS PIPE CLOSE NIPPLE 1/4"	30401200 (2)	30401200 (2)
15	GATE VALVE 1/4"	P000794	P000794
16	PRESS-LOCK FITTING 1/8"NPT x 1/4"HOSE	P000017	P000017
17	PRESS-LOCK FITTING 1/4"NPT x 1/4"HOSE	33650000	33650000
18	BRASS BALL VALVE 3/8"	24970000	24970000
19	BRASS NIPPLE 3/8"NPT x 1/4"NPT	27551600	27551600
20	FILTER/REGULATOR ASSEMBLY	30890900	30890900
20A	REGULATOR	30890500	30890500
20B	REGULATOR GAUGE	30890800	30890800
21	REGULATOR MOUNT BRACKET	A234033	A234033
22	PUMP MOUNT BRACKET	30400950	30400950
23	BRASS ELBOW 45° 3/8"NPT x 5/8"HOSE	P000230 *	P000230 *
24	PIPE PLUG 3/8"	28012800 *	28012800 *
25	PRESS-LOCK "Y" 3/8"	N/A	P000280
26	PRESS-LOCK ELBOW 1/4"FPT x 3/8"HOSE	N/A	23680300 (2)
27	SS PIPE NIPPLE 1/4" x 5"	N/A	28013200 (2)
28	SS PIPE ELBOW 1/4"	N/A	20682300 (2)
29	NOZZLE BODY	N/A	25913100 (2)
30A	TEE-JET NOZZLE 8015	N/A	25914800 (2)
30B	TEE-JET NOZZLE 8006	N/A	25915000 (2)
30C	TEE-JET NOZZLE 8030	N/A	25915100 (2)
31	NOZZLE CAP	N/A	25912900 (2)
32	NOZZLE MOUNT PLATE	N/A	A234020 (2)
33	NOZZLE BOX COVER	N/A	A234025 (2)
34	NOZZLE BOX	N/A	A234001
35	TRANSITION	N/A	A234005
36	SUPPORT FRAME	N/A	A234010
37A	TRANSITION GASKET	N/A	A234017
37B	LOWER GASKET	N/A	A234018
<b>ACCU-COAT / ACCU-TREAT KIT</b>		<b>A234000</b>	<b>A234100</b>

\*Quantity based on machines feeding the Positive Pressure system

**SUPPLY LINE: 5/8" ID tubing 16420000**  
**CHEMICAL LINE: 3/8" OD tubing 24060000**  
**AIR LINE: 1/4" OD tubing 24980000**

# ACCU-COAT P.P.S & ACCU-TREAT ADAPTER KIT



## POSTIVE PRESSURE SYSTEM BC-50 TO ACCU-COAT

REF	DESCRIPTION	PART # / QTY
1	PRESSURE CUP COVER	30400200
2	PRESSURE CUP GASKET	30400300
3	PRESSURE CUP	30400100
4	BRASS FITTING 1/2" NPT x 5/8" BARB	30400700
5	STATIC MIXER	A108017
6	STATIC MIXING CHAMBER	A108014
7	SS BELL REDUCER, 3/4" to 1/2"	P000208
8	SS STREET ELBOW 1/2"	23082700
9	PVC PIPE CLOSE NIPPLE 1/2"	28032100
10	FILTER 1/2"	18970000
10A	FILTER GASKET	18970200
10B	FILTER SCREEN	18970300
11	PRESS-LOCK ELBOW 1/2" NPT x 3/8 HOSE	25500100
12	PRESS-LOCK 90° ELBOW 1/4" NPT x 3/8 HOSE	27552600 (2)
13	AIR PUMP	30400600
14	SS PIPE CLOSE NIPPLE 1/4"	30401200 (2)
15	PRESS-LOCK FITTING 1/8"NPT x 1/4"HOSE	P000017
16	GATE VALVE	P000794
17	FLOW EQUALIZER	30401300
18	PRESS-LOCK "Y" 3/8"	P000280
19	PRESS-LOCK FITTING 3/8"NPT x 1/4"HOSE	24930000
20	SS HEX BUSHING 1/2" x 3/8"	20530000 (2)
21	SOLENOID VALVE ASSEMBLY	30400500
22	BRASS NIPPLE 3/8" NPT x 1/4" NPT	27551600 (2)
23	FILTER/REGULATOR ASSEMBLY	30890900
23A	REGULATOR	30890500
23B	REGULATOR GAUGE	30890800
24	BRASS BALL VALVE 3/8"	24970000
25	PUMP MOUNT BRACKET	30400950
26	PRESS-LOCK 90° ELBOW 3/8"NPT x 3/8"HOSE	27552700 *
27	PIPE PLUG 3/8"	28012800 *
28	SUPPORT FRAME	A294001
29	PRESS-LOCK ELBOW 1/4"FPT x 3/8"HOSE	23680300
30	SS PIPE NIPPLE 1/4" x 5"	28013200
31	SS PIPE ELBOW 1/4"	20682300
32	NOZZLE BODY	25913100
33A	TEE-JET NOZZLE 8015	25914800
33B	TEE-JET NOZZLE 8006	25915000
33C	TEE-JET NOZZLE 8030	25915100
34	NOZZLE CAP	25912900
35	NOZZLE MOUNT PLATE	A276027 (2)
36	NOZZLE BOX COVER	A276025 (2)
37	NOZZLE BOX	A276015
38A	TRANSITION GASKET	A276050
38B	LOWER GASKET	A234018
39	TRANSITION	A294010
<b>COMPLETE SYSTEM</b>		<b>A294000</b>

\* Quantity varies based on the machine feeding the Positive Pressure system

**SUPPLY LINE:** 5/8" ID tubing 16420000

**CHEMICAL LINE:** 3/8" OD tubing 24060000

**AIR LINE:** 1/4" OD tubing 24980000

# POSTIVE PRESSURE SYSTEM BC-50 TO ACCU-COAT

