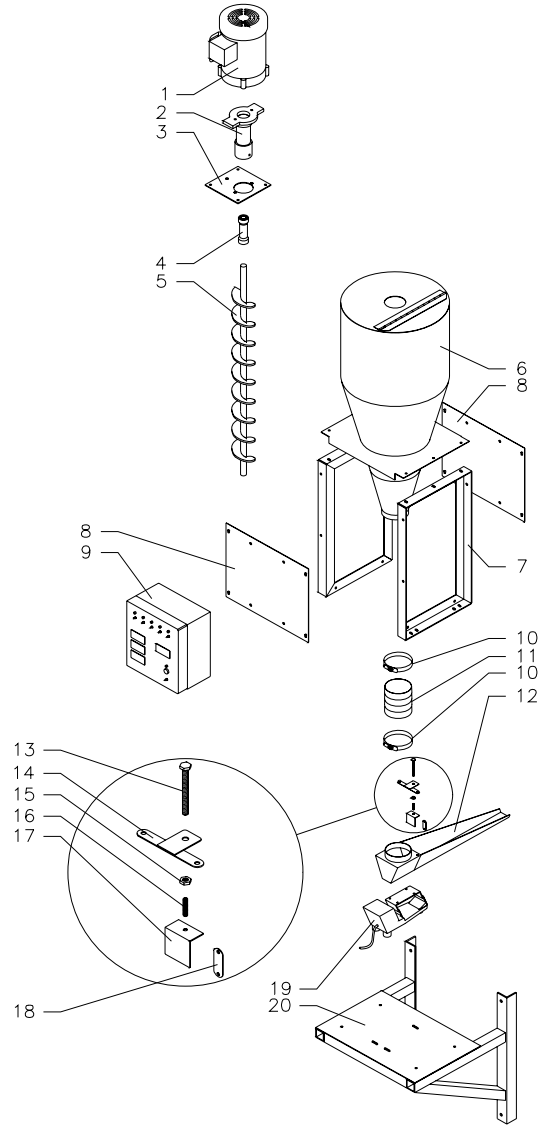


# **AMPD TREATER**

**PARTS LISTS APPENDIX**  
**10/12/2007**

# AM/PD TREATER POWDER FEEDER ASSEMBLY

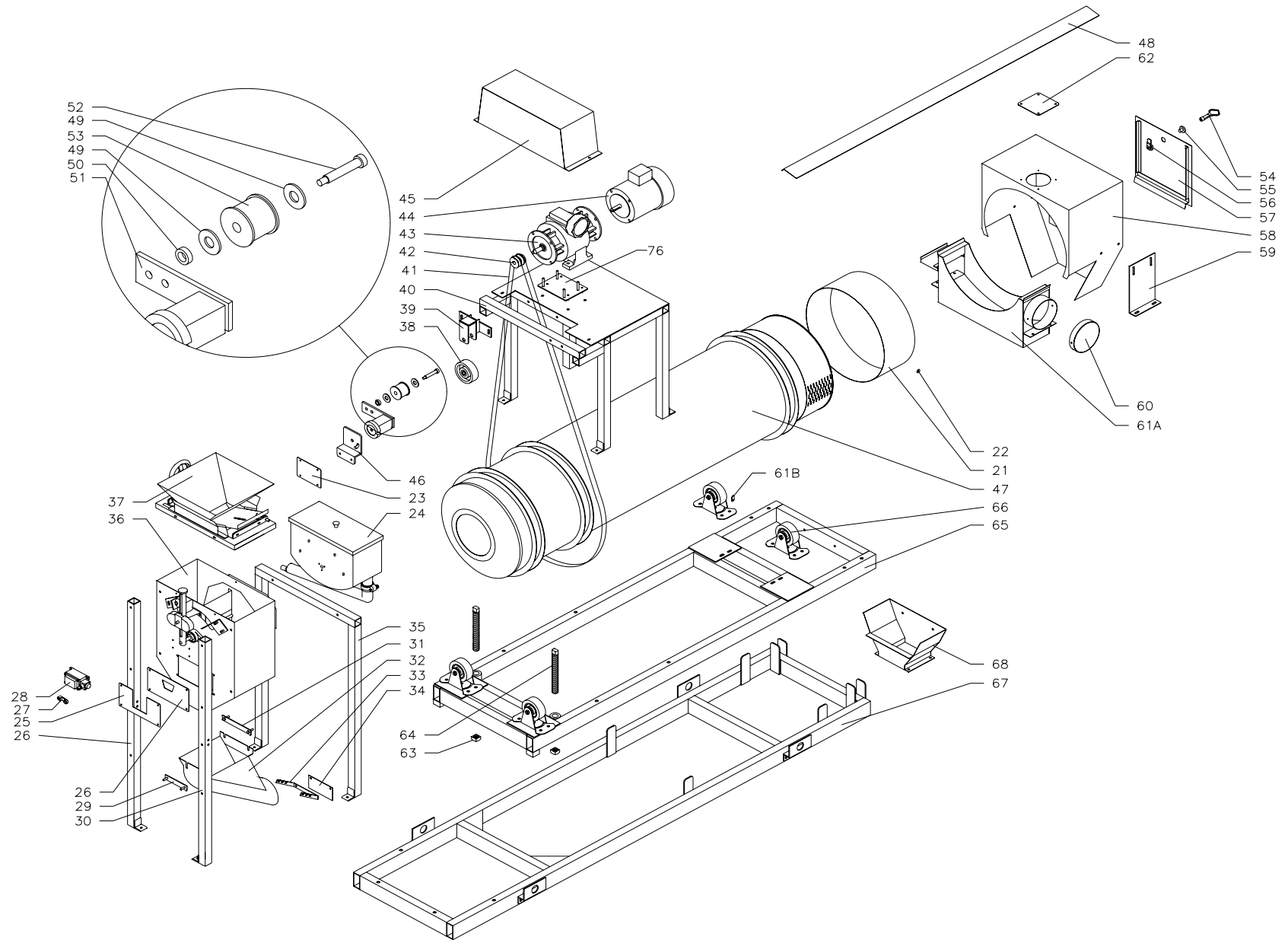
REF	DESCRIPTION	PART# /QTY
1	MOTOR	32450000
2	AGITATOR MOUNT	32460000
3	MOTOR MOUNT PLATE	32470000
4	COUPLER 5/8"	32440000
5	AUGER	32430200
6	PODWER HOPPER	32480200
7	HOPPER FRAME	32570000 (2)
8	CONTROLLER PLATE	32580000 (2)
9	CONTROL BOX	32600000
10	HOSE CLAMP #56	32410000 (2)
11	BOOT, XL-115 3"	32420000
12	POWDER TROUGH	32400000
13	FULL THREAD HEX BOLT 1/4"-20 x 2-1/2"	32560000
14	TROUGH BRACKET	32540000
15	LOCK NUT	32530000
16	RATCHET SPRING	33720000
17	TROUGH GATE	34200010
18	TROUGH GATE GAUGE	16660000
19	VIBRATION UNIT	32390000
20	MOTOR MOUNT TABLE	A058113
<b>POWDER ATTACHMENT (items 1-20)</b>		<b>A058100</b>



## AM/PD TREATER

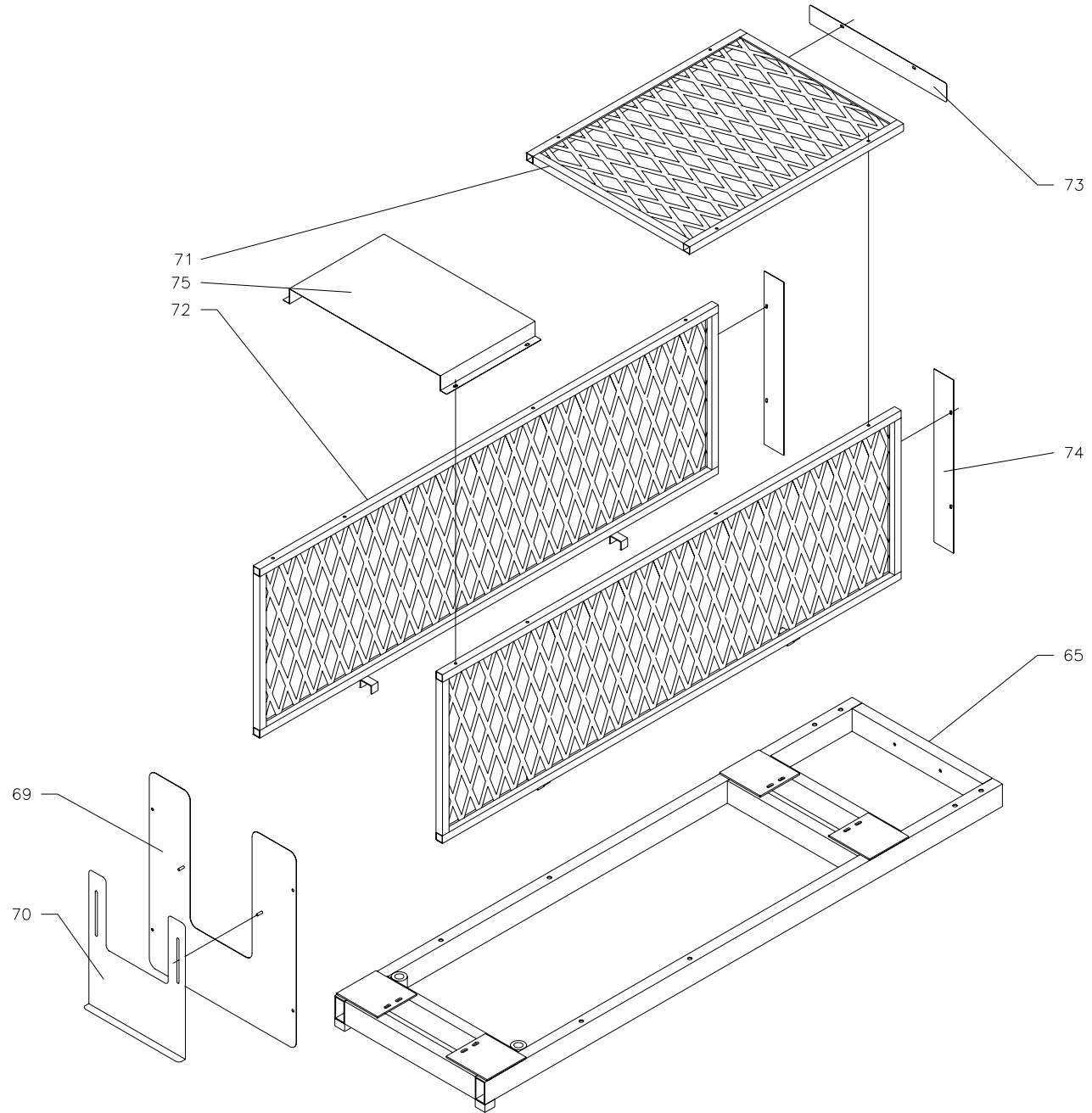
REF	DESCRIPTION	PART# /QTY	REF	DESCRIPTION	PART# /QTY
21A	DISCHARGE RING	A058301	51	BELT TENSIONER	26170501
21B	DISCHARGE SCREEN	A058300	52	SHOULDER BOLT, 5/8" x 2-1/2"	25914100
22	DRUM WASHER	A058302 (3)	53	BELT ADJUST ROLLER	25910300
23	METERING TANK BRACKET COVER	A058107	54	DOOR KEY	32002200
24	SINGLE METERING TANK	16282100	55	1/4 TURN CAM	32001101
25	POWDER ATTACHMENT COVER	24530000	56	DOOR LATCH	32002300
26	WEIGHTPAN HOUSING GASKET	A058115	57	DOG HOUSE DOOR	A058105
27	LIMIT SWITCH	42452	58	DOG HOUSE	A058001
28	LIMIT SWITCH TIMER	42040	59	DOG HOUSE SUPPORT BRACKET	34260000 (2)
29	TRANSITION BOLT-ON BRACKET #2	A058061	60	DUST EVACUATOR CAP	A058130
30	FRONT SUPPORT LEG	34130000 (2)	61A	AMPD DUST EVACUATOR	A058095
31	TRANSITION BOLT-ON BRACKET #1	A058059	61B	DUST EVACUATOR DOOR STOP	A058125
32	AMPD DRUM TRANSITION	A058045	62	DOG HOUSE DUST COVER	16020200
33	TRANSITION DEFLECTOR	A058052	63	SQUARE NUT	32190002 (2)
34	SEED DEFLECTOR PLATE	A058141	64	LIFT ROD	32190003 (2)
35	BACK SUPPORT FRAME	34140000	65	UPPER FRAME	A058077
36	AMPD WEIGHTPAN HOUSING	A058139	66	DRUM CASTER	32090300 (4)
37	AMPD UPPER HOPPER	A058138	67	LOWER FRAME	A058110
38	HOLD DOWN WHEEL	A050151	68	DISCHARGE TRANSITION	A058133
39	HOLD DOWN SUPPORT	A058068	69	TRANSITION GUARD	A058128
40	MOTOR MOUNT TABLE	A058070	70	TRANSITION GUARD PLATE	A058017
41	V- BELT, A x 73	30682000 (2)	71	TOP REAR GUARD	A058019
42	2 GROOVE PULLEY, 2"	30230400	72	SIDE GUARD	A058004 (2)
43	VARIATOR DISCO	30920100	73	DOG HOUSE TOP GUARD	A058014
44	MOTOR, 1/2HP, 3PH, 1140 RPM	P000369	74	DOG HOUSE SIDE GUARD	A058015 (2)
45	BELT GUARD	A058096	75	TOP FRONT GUARD	A058104
46	TENSIONER MOUNT BRACKET	A058063	76	REDUCER PLATE ADAPTER	A058995
47	DRUM BODY	A058155	AM/PD POSITIVE PRESSURE KIT included		A058150
48	LIFT BAR	34270100	<b>POWDER APPLICATION UNIT</b>		<b>A058200</b>
49	OILITE THRUST WASHER	25914300 (2)	<b>LIQUID APPLICATION UNIT</b>		<b>A058400</b>
50	ROLLER SPACER	25914200	<b>LIQUID &amp; POWDER APPLICATION UNIT</b>		<b>A058000</b>

# AM/PD TREATER



SS-AMP/PD  
10/12/07

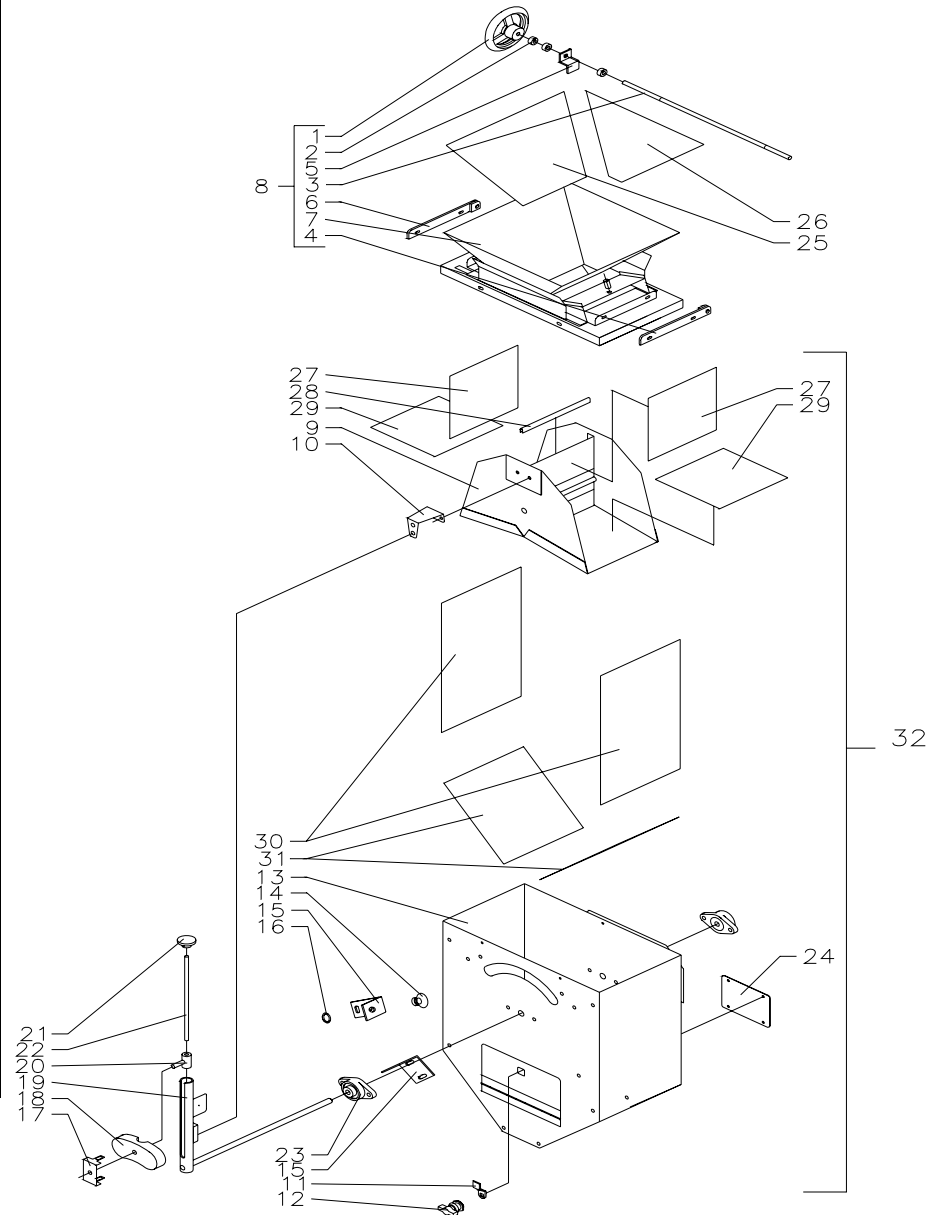
# AM/PD TREATER



# AMPD TREATER HEAD

REF	DESCRIPTION	PT #/QTY
1	HAND WHEEL	16640000
2	SET COLLAR	16240000 (3)
3	SEED GATE ROD	A058044
4	SEED GATE BRACKET RH	16670200
5	HOPPER EAR	A058042
6	SEED GATE BRACKET LH	16670100
7	FEED HOPPER (& slide gate)	A058030
8	FEED HOPPER ASSEMBLY	A058138
9	WEIGHTPAN	16030100
10	WEIGHTPAN CONNECTOR	16050300
11	LATCH CAM	16570402
12	LATCH	16570401
13	WEIGHTPAN HOUSING	17020100
14	ANTI-BOUNCE CUP	16060100 (2)
15	ANTI-BOUNCE BRACKET	30820000 (2)
16	O-RING	30810000 (2)
17	WEIGHT BRACKET	17630000
18	COUNTER WEIGHT	16080100
19	WEIGHTPAN ARM	17060500
20	COUNTERWEIGHT NUT	17620000
21	KNOB	17610000
22	FAILSAFE ROD	17600000
23	FLANGE BEARING	16090100 (2)
24	HOUSING COVER PLATE	17030000
25	INLET HOPPER LINER 1	A058118 (2)
26	INLET HOPPER LINER 2	A058119 (2)
27	WEIGHTPAN LINER 1	A058120 (2)
28	WEIGHTPAN LINER GUARD	A058055
29	WEIGHTPAN LINER 2	A058121 (2)
30	HOUSING LINER 1	A058122 (2)
31	HOUSING LINER 2	A058123 (2)
32	WEIGH PAN HOUSING AEEMBLY	A058139

MACHINE LINING (items 25-31) used only for peanut orders.  
Specify when ordering



## POSITIVE PRESSURE SYSTEM For AM/PD

REF	DESCRIPTION	PT #/QTY
1	PRESSURE CUP COVER	30400200
2	PRESSURE CUP GASKET	30400300
3	PRESSURE CUP	30400100
4	CHEMICAL BOWL BRACKET	30401100 (2)
5	BRASS FITTING 1/2"NPT x 5/8" BARB	30400700
6	SS HEX BUSHING REDUCER, 3/4"x 1/2"	23081900
7	SS PIPE STREET ELBOW 1/2"	23082700
8	PVC PIPE CLOSE NIPPLE 1/2"	28032100
9	FILTER 1/2"	18970000
9a	FILTER GASKET	18970200
9b	FILTER SCREEN	18970300
10	PRESS-LOCK ELBOW 1/2"x 3/8" HOSE	25500100
11	POLY TUBING 3/8" OD	24060000 (5')
12	PRESS-LOCK ELBOW 1/4"x 3/8" HOSE	27552600 (2)
13	FLOW EQUALIZER	30401300
14	SS PIPE CLOSE NIPPLE 1/4"	30401200
15	AIR PUMP	30400600
16	PRESS-LOCK FITTING 1/8"x 1/4" HOSE	P000017
17	POLY TUBING 1/4"	24980000 (2')
18	BRASS BALL VALVE 3/8"	24970000
19	BRASS NIPPLE 3/8" NPT x 1/4" NPT	27551600
20	FILTER/REGULATOR ASSEMBLY	30890900
21	PRESS-LOCK FITTING 1/4"x 1/4" HOSE	33650000
22	PIPE PLUG 3/8"	28012800 *
23	BRASS ELBOW 45° 3/8"x 5/8"HOSE	P000230 *
24	PUMP MOUNT BRACKET	30400950
25	CUP MOUNT BRACKET	30400800

REF	DESCRIPTION	PT #/QTY
26	PRESS-LOCK ELBOW 90° 1/4"x 3/8" HOSE	23680300
27	NOZZLE BODY	25913100
28	NOZZLE HOLDER	25913200
29A	SPRAY NOZZLE 8006	25915000
29B	SPRAY NOZZLE 8015	25914800
29C	SPRAY NOZZLE 8030	25915100
30	NOZZLE CAP	25912900
31	NOZZLE BLOCK	A033001
32	NOZZLE RETAINER	A058056
33	SS ELBOW	20682300
34	SS PIPE CLOSE NIPPLE 1/4"	30401200
<b>AMPD ADAPTER KIT</b>		<b>A058150</b>

**SUPPLY LINE:** 5/8" ID tubing 16420000

**CHEMICAL LINE:** 3/8" OD tubing 24060000

**AIR LINE:** 1/4" OD tubing 24980000

\* The quantity of fittings and plugs vary depending on the machines feeding the Positive Pressure system

# POSITIVE PRESSURE SYSTEM For AM/PD

