



Mixing Chamber



Optional Equipment

The modular design allows for optional Rotary Mist-O-Matic®, S-Series heads or BC Scales to be mounted above the inlet, for a variety of seed types.

Gustafson



Features & Benefits

Variable Frequency Drive (VFD)

The mixing element speed is adjustable to rotate slowly when treating low volume fragile seeds, or faster for high volume and less fragile seeds.

Adjustable Drum

Adjustable drum angle for improved seed flow, seed coverage and drum clean-out.

Guarded Heavy-Duty Casters

For smooth drum rotation.

Cage Style Drum Guards

Designed for operator protection.

Closed Treating System

For limited operator exposure.

Optional Treater Heads

Each are sold separate.

- Rotary Mist-O-Matic
- S-Series Heads

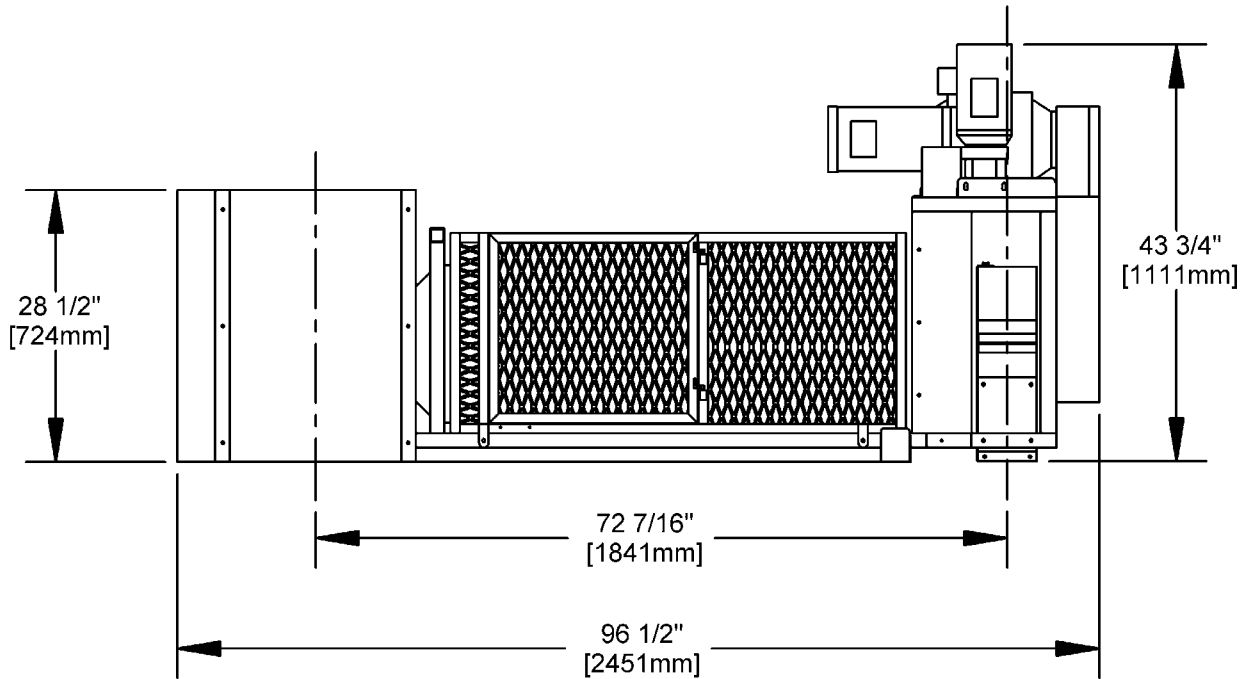
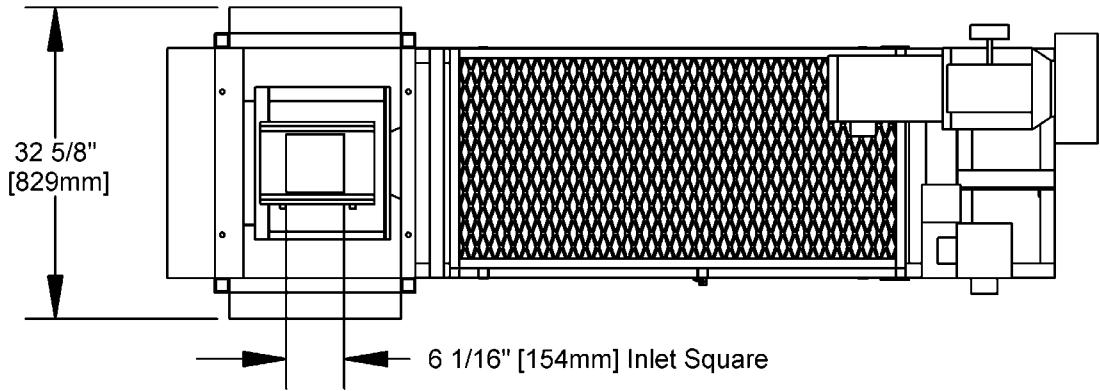
Capacities

Up to 400 bushels per hour on alfalfa, rice, sugar beets and other vegetable seeds.



The Accu-Coat Mixing Chamber with optional S-Series treating head assembly.





SPECIFICATIONS			
CTRL VOLTAGE DRUM MOTOR	120 V	1 ph	50/60 hz
CTRL VOLTAGE MIXING ELEMENT	230/460 V	3 ph	60 hz
SERVICE VOLTAGE	20 amp		
DRY WEIGHT	852 lbs	1878 kgs	

CONTACT FACTORY FOR ADDITIONAL SPECIFICATIONS IF REQUIRED

Technical information expressed in this document is for reference purposes only, subject to change without notice. If certified dimensional drawings are required, call 1.800.634.6738.



Bayer CropScience



Bayer CropScience
 4895 12th Avenue East
 Shakopee, Minnesota, 55379
 USA

www.bayercropscienceus.com