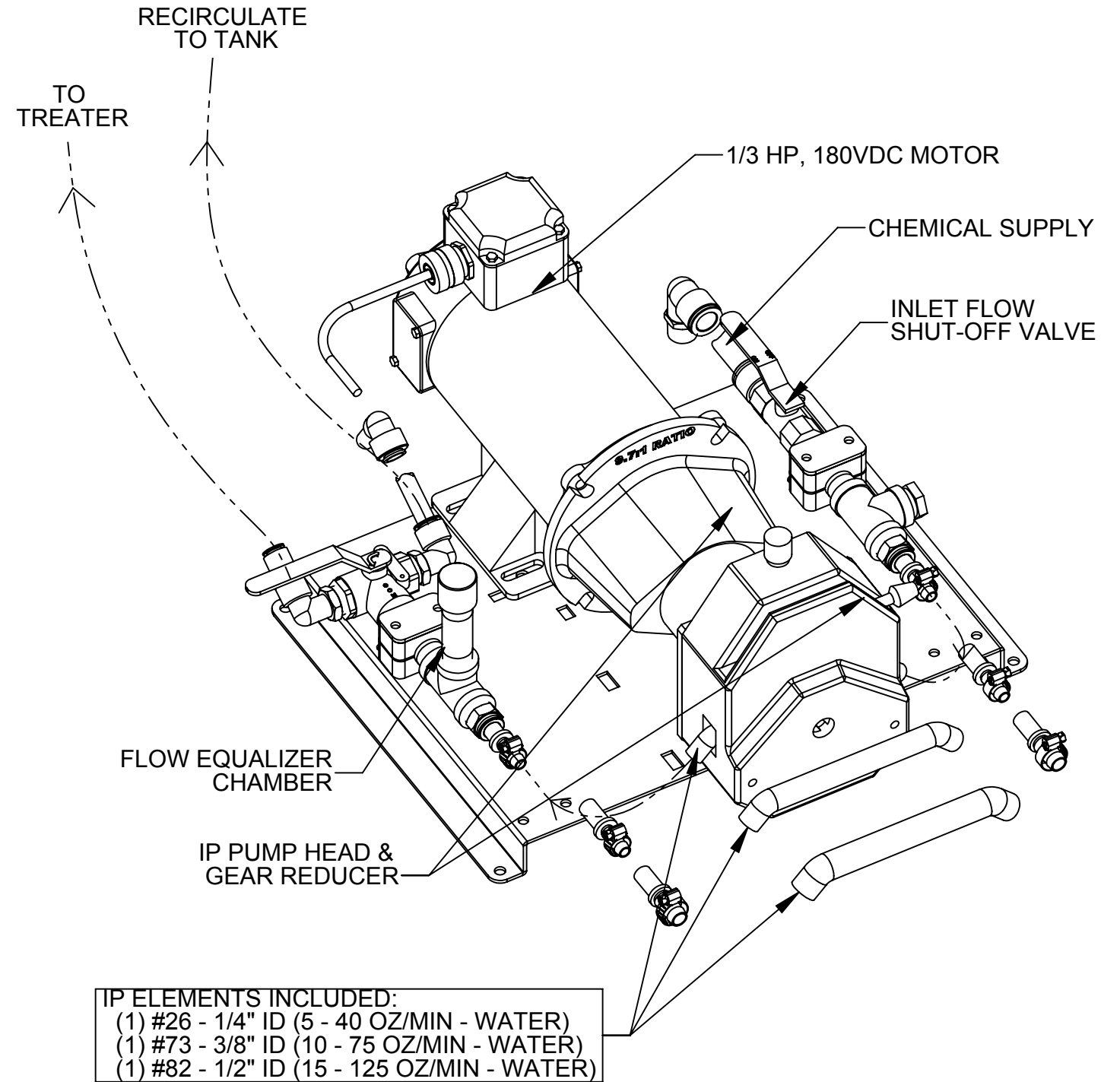
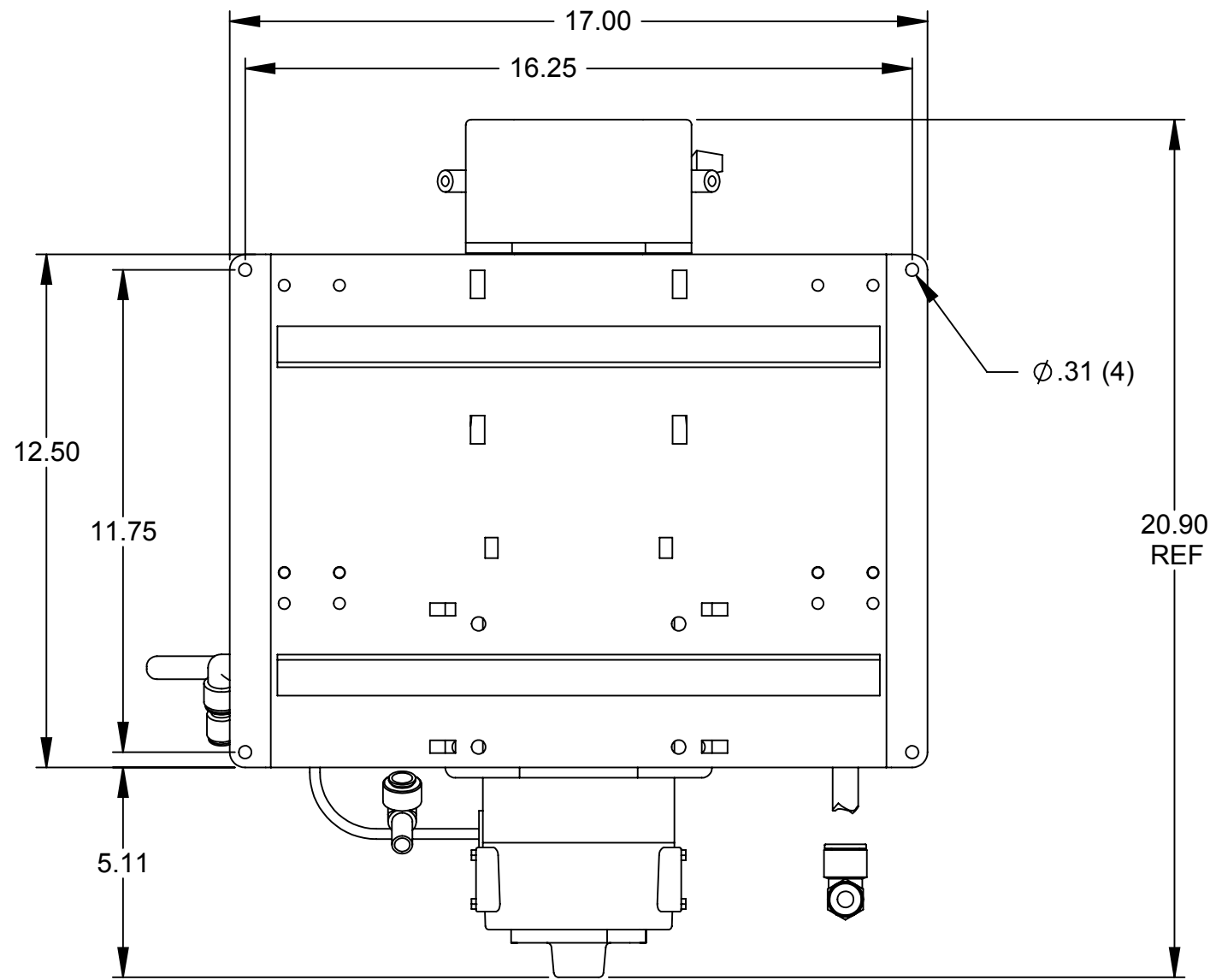
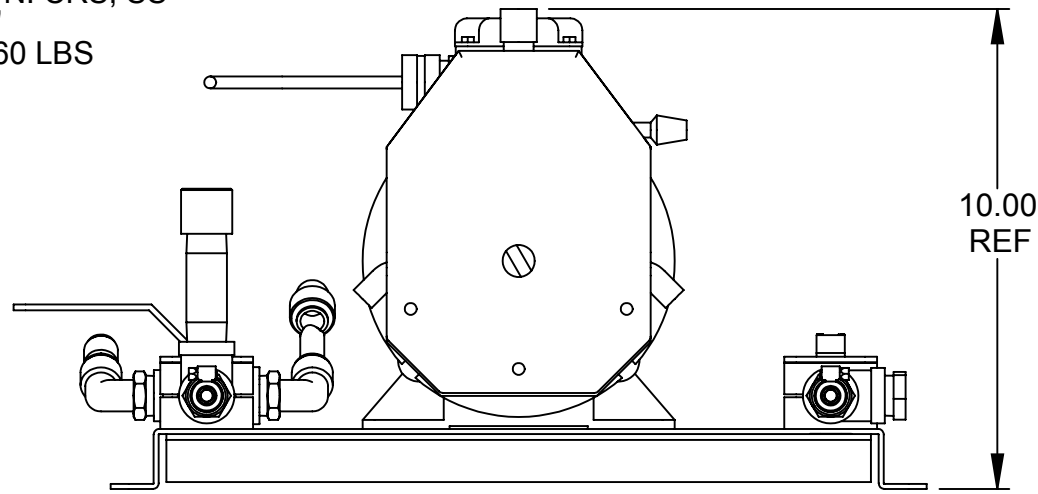


CONSTRUCTION: CRS, SS
 DIM TOL: ± .13"
 DRY WEIGHT: 60 LBS



CUSTOMER
 PO#
 (-) UNITS REQ'D

ASSUMED SYMMETRY OF PARTS IS USED, UNLESS OTHERWISE DIMENSIONED	
1 PLACE (X) ± .060"	TOLERANCES - UNLESS OTHERWISE NOTED
2 PLACE (XX) ± .015"	FRACTIONS #1/32"
3 PLACE (XXX) ± .005"	ANGLES ± 1/2°
4 PLACE (XXXX) ± .0005"	
THIS DRAWING IS BAYER CROPSCIENCE PROPERTY FOR USE WITH GUSTAFSON EQUIPMENT ONLY. ALL DESIGNS AND INVENTION RIGHTS.	

MFG. APPROVAL X	DATE X	DRAWN BY GAR	DATE 03/22/07
SCALE 1:4	REDRAWN BY -	CHECKED BY GAR	DATE 01/23/08
TITLE I/P PUMP KIT: LOW RATE: 180VDC		PART NUMBER A409700B	

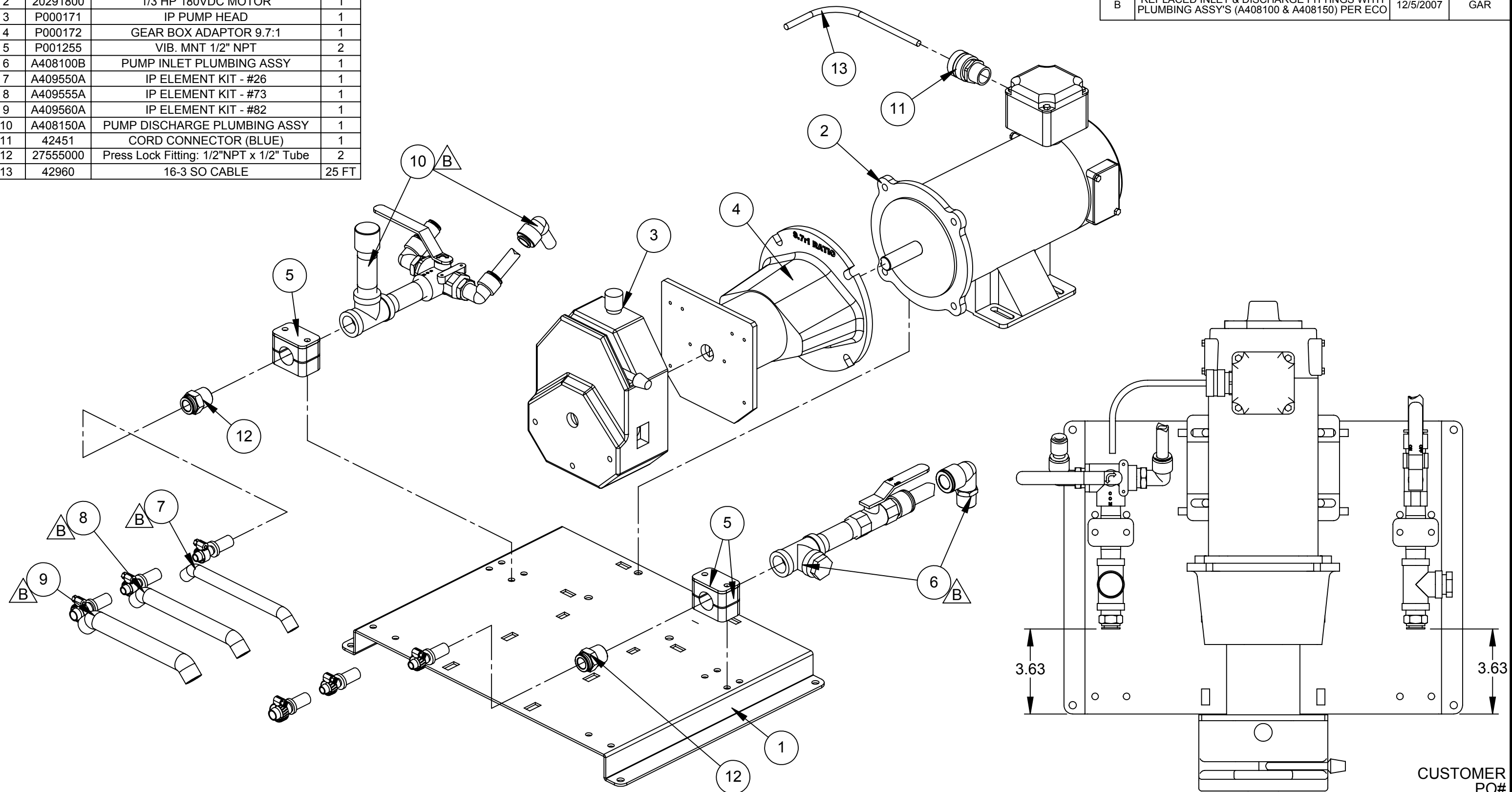
Gustafson

www.gustafson.com

REVISION -

ITEM NO.	PART NUMBER	TITLE	QTY.
1	A409010C	IP/SP15 PUMP BASE WLDMNT	1
2	20291800	1/3 HP 180VDC MOTOR	1
3	P000171	IP PUMP HEAD	1
4	P000172	GEAR BOX ADAPTOR 9.7:1	1
5	P001255	VIB. MNT 1/2" NPT	2
6	A408100B	PUMP INLET PLUMBING ASSY	1
7	A409550A	IP ELEMENT KIT - #26	1
8	A409555A	IP ELEMENT KIT - #73	1
9	A409560A	IP ELEMENT KIT - #82	1
10	A408150A	PUMP DISCHARGE PLUMBING ASSY	1
11	42451	CORD CONNECTOR (BLUE)	1
12	27555000	Press Lock Fitting: 1/2"NPT x 1/2" Tube	2
13	42960	16-3 SO CABLE	25 FT

REVISIONS			
REV.	DESCRIPTION	DATE	APPROVED
B	REPLACED INLET & DISCHARGE FITTINGS WITH PLUMBING ASSY'S (A408100 & A408150) PER ECO	12/5/2007	GAR



CUSTOMER
PO#
(-) UNITS REQ'D

ASSUMED SYMMETRY OF PARTS IS USED, UNLESS OTHERWISE DIMENSIONED		MFG. APPROVAL X	DATE X	DRAWN BY GAR	DATE 03/22/07
TOLERANCES- UNLESS OTHERWISE NOTED		SCALE 1:4	REDRAWN BY -	CHECKED BY GAR	DATE 01/23/08
1 PLACE (X)	± .060"	TITLE I/P PUMP KIT: LOW RATE: 180VDC			
2 PLACE (XX)	± .015"	PART NUMBER A409700B			
3 PLACE (XXX)	± .005"	REVISION -			
4 PLACE (XXXX)	± .0005"	THIS DRAWING IS BAYER CROPSCIENCE PROPERTY FOR USE WITH GUSTAFSON EQUIPMENT ONLY. ALL DESIGN AND INVENTION RIGHTS			

Gustafson 
www.gustafson.com