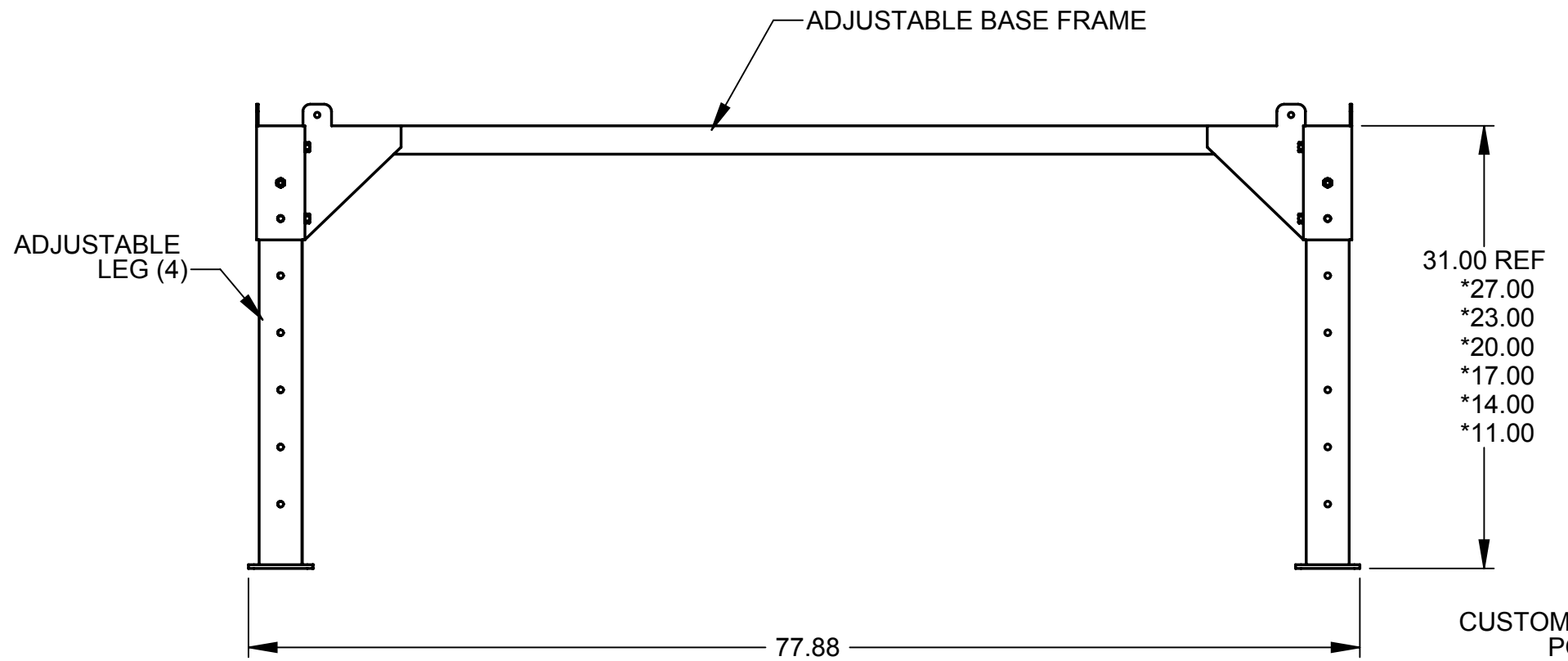
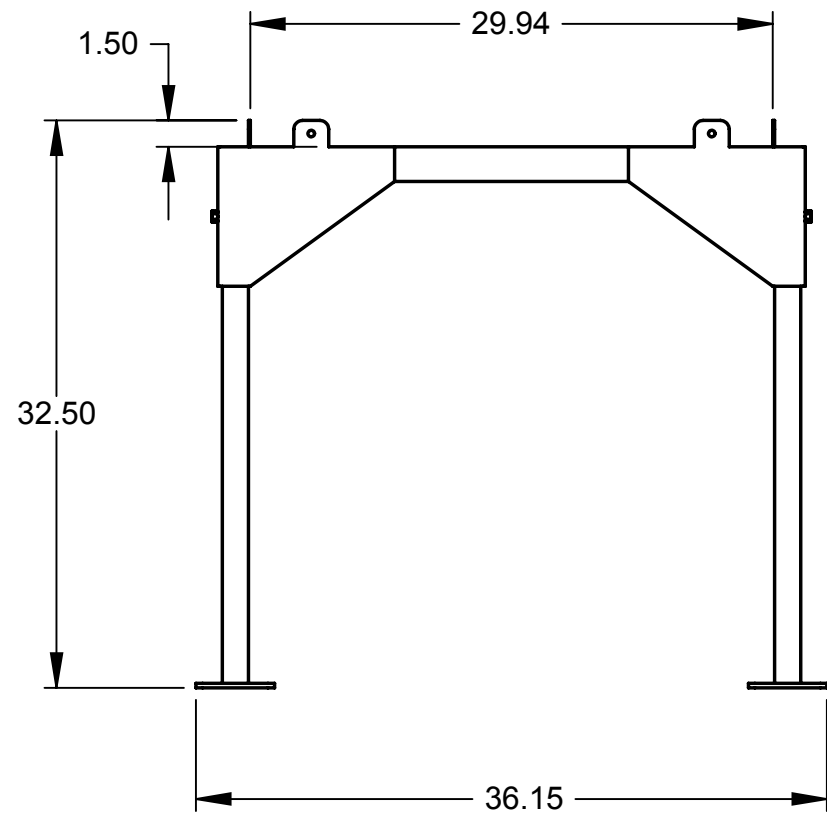
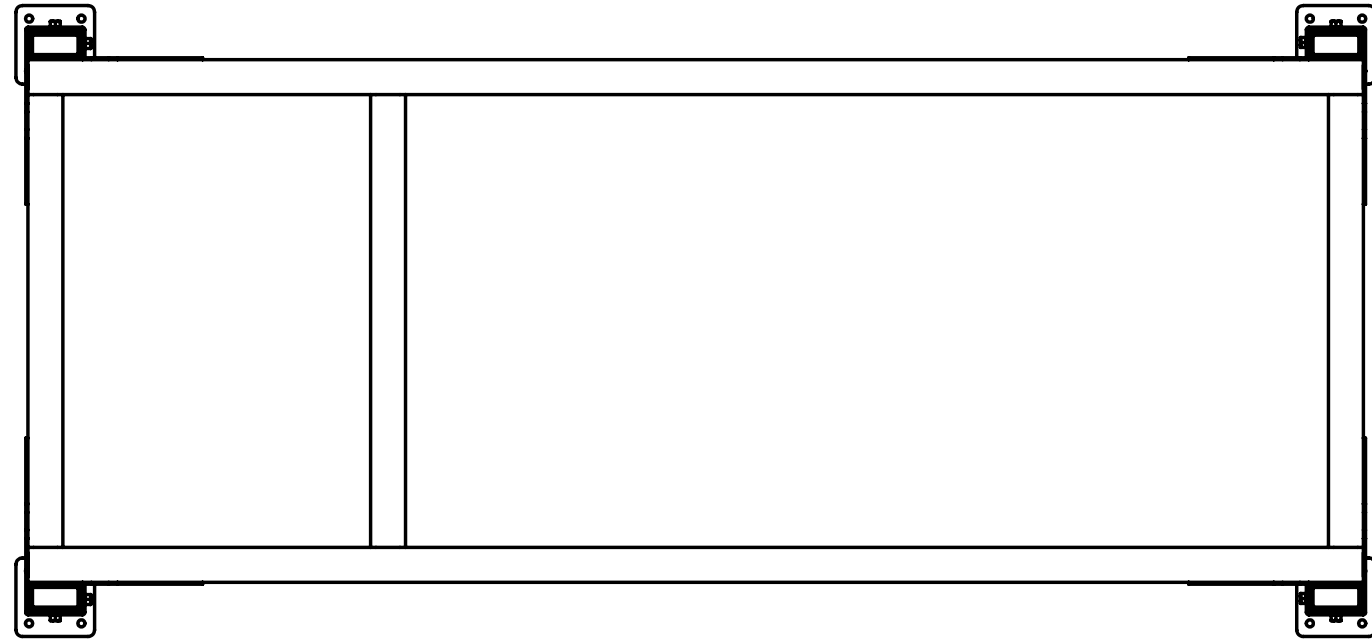
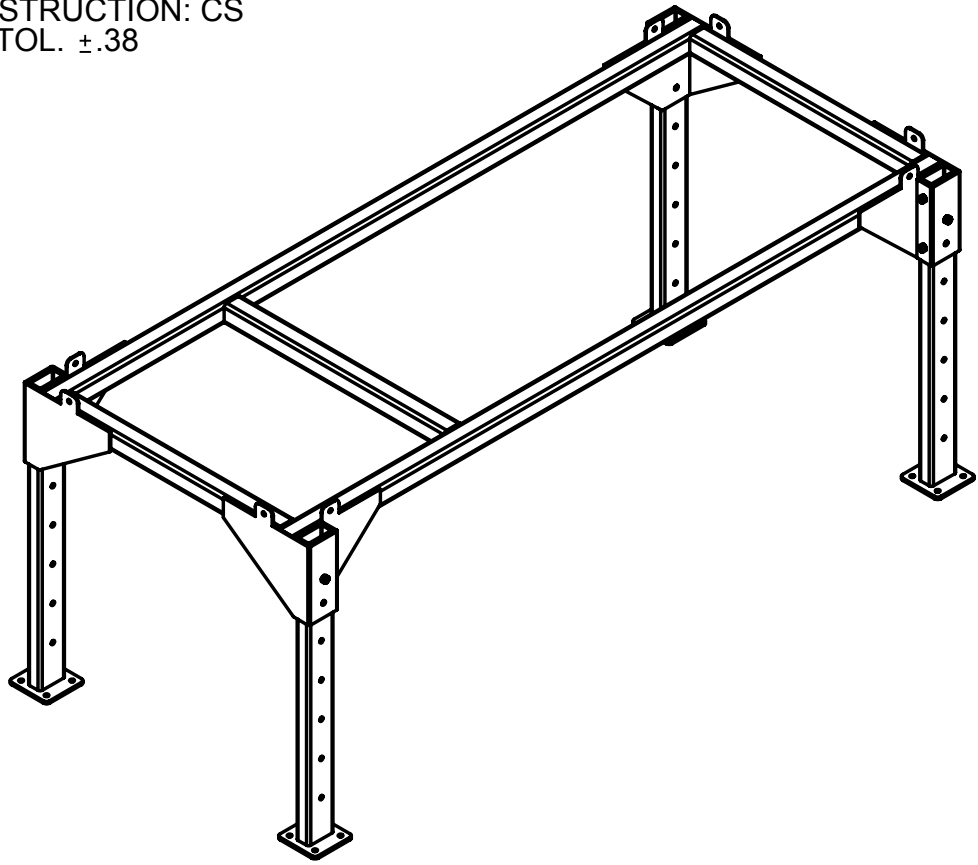



CONSTRUCTION: CS
DIM TOL. $\pm .38$

REVISIONS



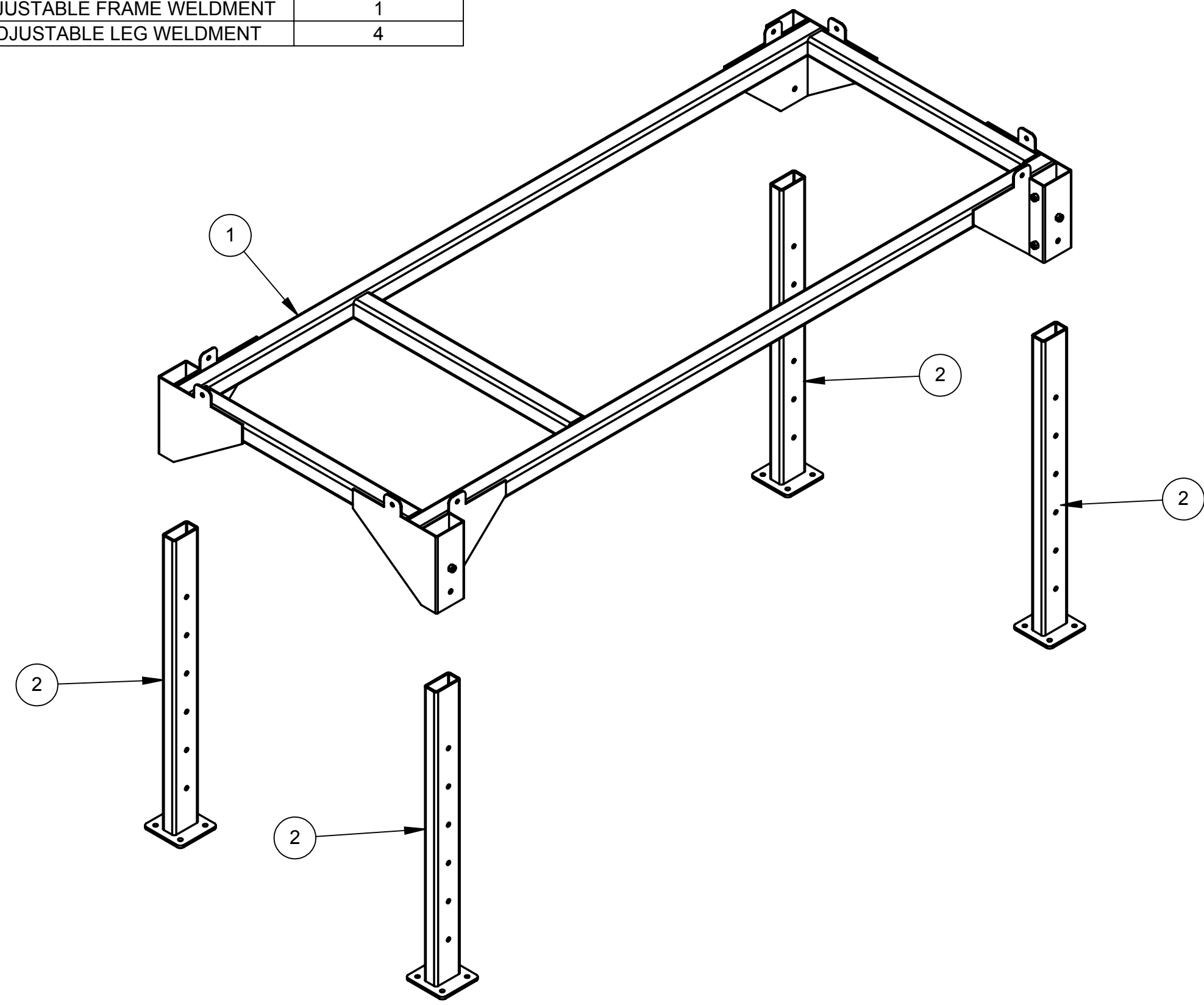
CUSTOMER
PO#
(-) UNITS REQ'D

1 REQ'D/ UNIT
SRW800, RH-24

ASSUMED SYMMETRY OF PARTS IS USED, UNLESS OTHERWISE DIMENSIONED		MFG. APPROVAL X	DATE X	DRAWN BY SRS	DATE 2/12/07	 www.gustafson.com
1 PLACE (X) $\pm .060"$ 2 PLACE (XX) $\pm .015"$ 3 PLACE (XXX) $\pm .005"$ 4 PLACE (XXXX) $\pm .0005"$		SCALE 1:11	REDRAWN BY -	CHECKED BY GAR	DATE 02/13/07	
TOLERANCES- UNLESS OTHERWISE NOTED FRACTIONS $\neq 1/32"$ ANGLES $\neq 1/2^\circ$		TITLE ADJUSTABLE BASE FRAME			PART NUMBER A410100A	REVISION -
THIS DRAWING IS BAYER CROPSCIENCE PROPERTY FOR USE WITH GUSTAFSON EQUIPMENT ONLY. ALL DESIGNS AND INVENTION RIGHTS.						

ITEM NO.	PART NUMBER	Title	Default/QTY.
1	A410105A	ADJUSTABLE FRAME WELDMENT	1
2	A410120A	ADJUSTABLE LEG WELDMENT	4

REVISIONS



CUSTOMER
PO#
(-) UNITS REQ'D

ASSUMED SYMMETRY OF PARTS IS USED, UNLESS OTHERWISE DIMENSIONED		MFG. APPROVAL X	DATE X	DRAWN BY SRS	DATE 2/12/07
TOLERANCES- UNLESS OTHERWISE NOTED		SCALE 1:10	REDRAWN BY -	CHECKED BY GAR	DATE 02/13/07
1 PLACE (X) ±.060" 2 PLACE (XX) ±.015" 3 PLACE (XXX) ±.005" 4 PLACE (XXXX) ±.0005"		TITLE ADJUSTABLE BASE FRAME			
THIS DRAWING IS BAYER CROPSCIENCE PROPERTY FOR USE WITH GUSTAFSON EQUIPMENT ONLY. ALL DESIGNS AND INVENTION RIGHTS.		PART NUMBER A410100A			
		REVISION -			

