

# F.A.S.T.

## Farmer Applied Seed Treater

### The F.A.S.T. system

*Designed to be mounted directly on a truck box or wagon, for the dispensing of fungicides, insecticides or inoculants onto barley & wheat, and soybeans through any auger conveyance system (2.5 gallon jug is not included with the F.A.S.T. system).*



# Gustafson



Advanced  
Seed Treatment  
Technology

### Features & Benefits

#### Quick Disconnect Assembly

*on the pick up tube and breather vent enables clean and easy change out of 2.5 gallon treatment containers.*

#### 2.5 gallon Pail Hanger

*with hanger clamp. 2.5 gallon jug not included*

#### Metering ball valve

*with scale and internal bypass 12VDC Diaphragm Pump.*

**Remote 20' ON/OFF switch cord assembly.**

#### Auger Bracket Assembly

*installs easily into any auger conveyance system.*

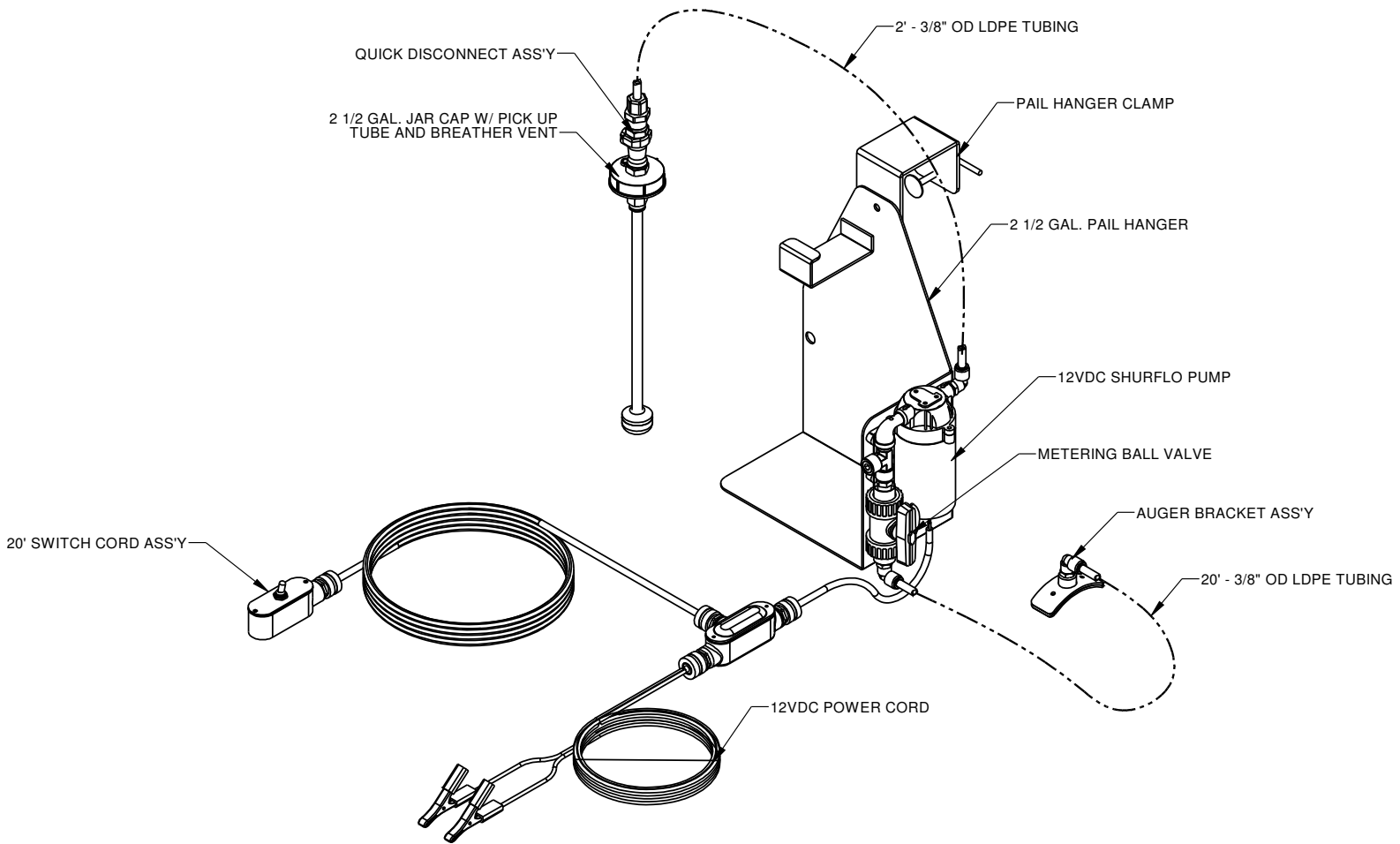
#### Two Power Models:

##### 12VDC or 110VAC.

*110VAC models are equipped with a standard 35' power cord.*

*12VDC models are equipped with 35' battery cables, as shown.*





**WARNING USERS OF YIELDSHIELD!** - This unit is not to be used when YieldShield is mixed with water. Due to inadequate agitation, YieldShield in water will settle and result in poor coverage and protection. YieldShield can be used in this unit only if mixed with other treatment products.

Technical information expressed in this document is for reference purposes only, subject to change without notice. If certified dimensional drawings are required, call 1.800.634.6738.



Bayer CropScience  
 4895 12th Avenue East  
 Shakopee, Minnesota, 55379  
 USA

[www.bayercropscienceus.com](http://www.bayercropscienceus.com)